

QPA-40000-60000-35-20S

40~60GHz, 35dB, 20dBm

Features:

- * Small Size
- * Low Power Consumption

Applications:

- * Wireless
- * Transmitter
- * Laboratory Test

Electrical

Frequency:	40~60GHz
Small Signal Gain:	35dB min..
Gain Flatness:	±5dB max.
Output Power (Psat):	20dBm min.
VSWR:	2 typ.
Voltage:	+7V DC
Current:	1.2A typ.
Input Power:	-5dBm max.
Impedance:	50Ω

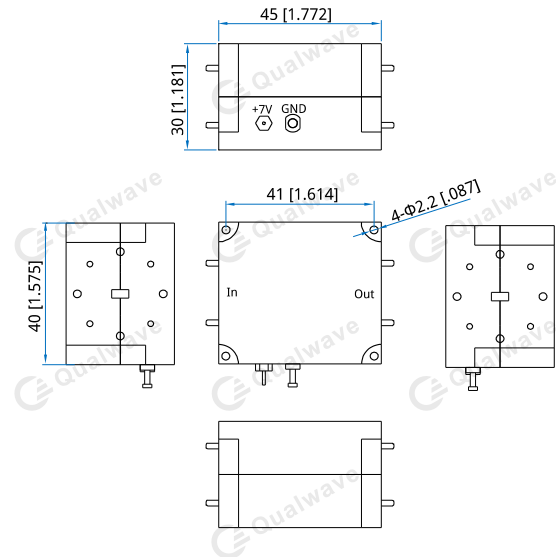
Mechanical

Size*1:	45*30*40mm 1.772*1.181*1.575in
Interface:	WR19
Mounting:	4-Φ2.2mm through-hole

[1] Exclude connectors.

Environmental

Operating Temperature:	10~+40°C
Non-operating Temperature:	0~+50°C

Outline Drawings


Unit: mm [in]

Tolerance: ±0.2mm [±0.008in]

How To Order

QPA-40000-60000-35-20S

Customization is available upon request.