

# QPA-47000-52000-30-30S

## 47~52GHz, 30dB, 30dBm

**Features:**

- \* Small Size
- \* Low Power Consumption

**Applications:**

- \* Wireless
- \* Transmitter
- \* Laboratory Test

**Electrical**

Frequency:	47~52GHz
Gain:	30dB min..
Gain Flatness:	±2dB typ.
Output Power (Psat):	30dBm min.
Spurious:	-60dBc max.
VSWR:	2 typ.
Voltage:	+15V DC
Current:	1A typ.
Input Power:	+10dBm max.
Impedance:	50Ω

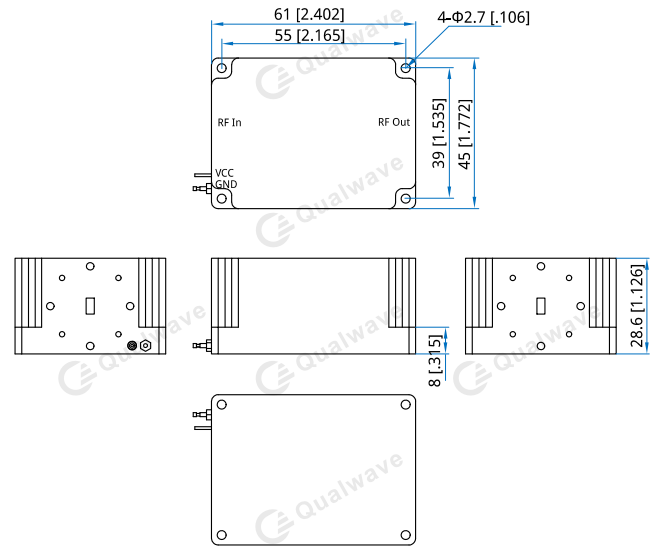
**Mechanical**

Size*1:	61*45*28.6mm 2.402*1.772*1.126in
Weight:	300g
Interface:	WR19
Mounting:	4-Φ2.7mm through-hole

[1] Exclude connectors.

**Environmental**

Operating Temperature:	-20~+50°C
Non-operating Temperature:	-40~+85°C

**Outline Drawings**


Unit: mm [in]

Tolerance: ±0.2mm [±0.008in]

**How To Order**

**QPA-47000-52000-30-30S**

Customization is available upon request.