

QPA-791-821-45-40

791~821MHz, 45dB, 40dBm

Features:

- * Small Size
- * Low Power Consumption

Applications:

- * Wireless
- * Transmitter
- * Laboratory Test

Electrical

| | |
|---------------------------|--------------------------------------|
| Frequency: | 791~821MHz |
| Power Gain: | 45dB typ. |
| Gain Flatness: | ±0.5dB typ. |
| Output Power (P1dB): | 40dBm typ. |
| Spurious: | -60dBc typ. (DC~10GHz@Pout=40dBm) |
| 2 th Harmonic: | -30dBc typ. |
| Input VSWR: | 1.45 typ. |
| Output VSWR: | 2 typ. |
| Voltage: | +30V DC |
| Input Power: | -2dBm max. |

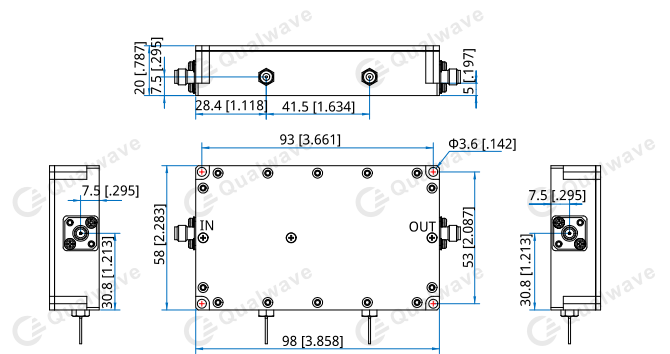
Mechanical

| | |
|-------------------------|-----------------------------------|
| Size ^{*1} : | 98*58*20mm 3.858*2.283*0.787in |
| RF Connectors: | SMA female |
| Power Supply Interface: | Feed through |
| Mounting: | 4-Φ3.2mm through-hole |
| Cooling: | Forced Air |

[1] Exclude connectors.

Environmental

| | |
|------------------------|-----------|
| Operating Temperature: | -10~+50°C |
|------------------------|-----------|

Outline Drawings


Unit: mm [in]

Tolerance: ±0.2mm [±0.008in]

How To Order

QPA-791-821-45-40

Customization is available upon request.