

QDP-67 DC~67GHz

Features:
 * Durable
 * Low Insertion Loss
 * Low VSWR

Applications:
 * Microwave Test

Specifications

Frequency (GHz)	Pitch (μm)	Tip Size (μm)	IL (dB Max.)	VSWR (Max.)	Configuration	Mounting Styles	Connector	Probe Tip Material
DC~67	135-200-135	30	1.2	1.45	GSSG	45°	1.0mm female	Gold plated Nickel Alloy
	100, 125, 150	30	1.2	1.7	GSGSG	45°	1.85mm female	Gold plated BeCu
	135-200-135	30	1.2	1.45	GSSG	45°	1.85mm female	Gold plated Nickel Alloy
	200				SS			Gold plated Nickel Alloy

Electrical

Frequency: DC~67GHz
 Recommend Overtravel: 50~75μm
 Impedance: 50Ω

Mechanical

Material: Aluminum Alloy

Environmental

Operating Temperature: -45~+85°C

How To Order

QDP-67-V-W-X-Y-Z-U-T

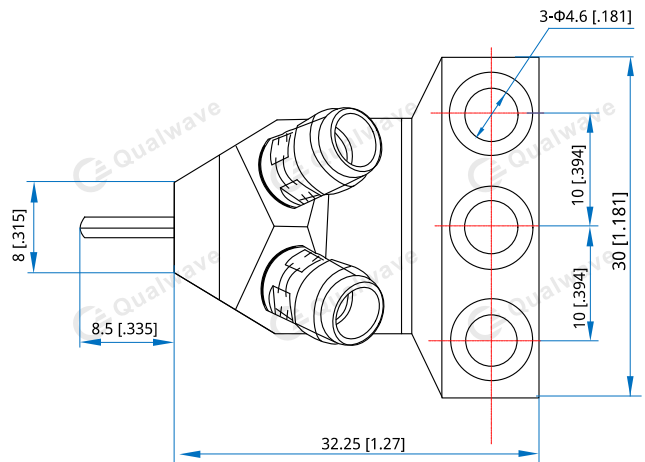
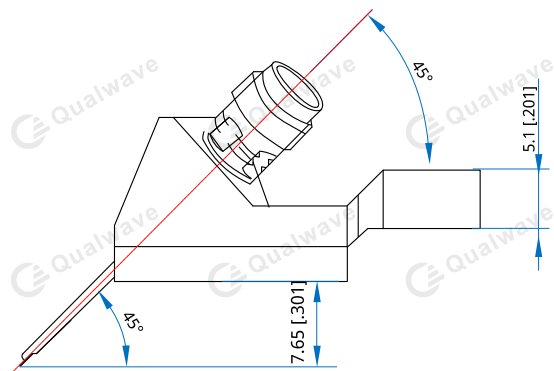
V: Configuration Type.
 W: Pitch in μm
 135-200-135: 200(135)
 X: Tip Size in μm
 Y: Mounting Styles. 45°: 45
 Z: Material. Aluminum alloy: A
 U: Probe Tip Material.
 Gold plated BeCu: C, Gold plated Nickel Alloy: N

Examples:

To order a dual port probe, DC~67GHz, GSGSG, Pitch 100μm, 30μm, 45°, Aluminum alloy, Gold plated BeCu, specify QDP-67-GSGSG-100-30-45-A-C.

Customization is available upon request.

Outline Drawings



Unit: mm [inch]
 Tolerance: ±0.25mm [±0.01in]