

QSP-110

DC~110GHz

Features:
 * Durable
 * Low Insertion Loss
 * Low VSWR

Applications:
 * Microwave Test

Specifications

Frequency (GHz)	Pitch (μm)	Tip Size (μm)	IL (dB Max.)	VSWR (Max.)	Configuration	Mounting Styles	Connector
DC~110	50, 75, 100	30	1.5	2	GSG	45°	1.0mm female
	125	30	1 @DC~67GHz	1.4 @DC~67GHz	GS	45°	1.0mm female

Electrical

Frequency: DC~110GHz
 Recommend Overtravel: 50μm~75μm
 Impedance: 50Ω

Mechanical

Material: Aluminum Alloy
 Probe Tip Material: Gold plated BeCu

Environmental

Operating Temperature: -45~+85°C

How To Order

QSP-110-V-W-X-Y-Z-U-T

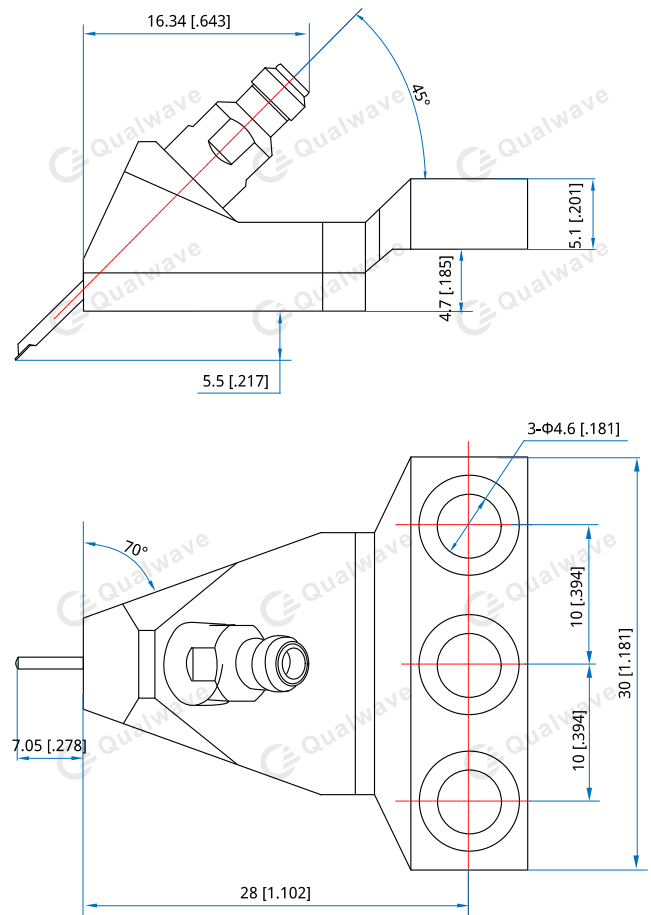
V: Configuration Type.
 W: Pitch in μm
 X: Tip Size in μm
 Y: Mounting Styles. 45°: 45
 Z: Material. Aluminum alloy: A
 U: Probe Tip Material. Gold plated BeCu: C
 T: If there are duplicate models with different appearances.

Examples:

To order a single port probe, DC~110GHz, GSG, Pitch 75μm, 30μm, 45°, Aluminum alloy, Gold plated BeCu, specify QSP-110-GSG-75-30-45-A-C.

Customization is available upon request.

Outline Drawings



Unit: mm [inch]
 Tolerance: ±0.25mm [±0.01in]