

# QRJ1-18000-12

## Single Channel, DC~18GHz, 12.7mm

Features:	Applications:
* Low VSWR	* High Speed Digital Signal
* Low VSWR Flatness	Transmission
* Low Insertion Loss Flatness	* Analog Signal Transmission

### Electrical

Frequency:	DC~18GHz
VSWR:	1.4 max.
VSWR Flatness:	0.05 max.
Insertion Loss:	0.3dB max.
Insertion Loss Flatness:	0.05 dB max.
Phase Flatness:	1° max.
Average Power:	500W max. @1GHz
	200W max. @6GHz
	100W max. @12GHz
	30W max. @18GHz
Peak Power:	3000W max.
IP Grade:	IP40 acc. EN 60529

### Mechanical

Connectors:	SMA female
Rotating Speed:	250RPM max.
Starting Torque:	0.5N.cm max.
Connector Axial Load:	±0.1N max.
Rotating Torque:	0.5 N.cm max.
Connector Radial Load:	±0.1N max.
Operation Life:	10M Cycles
Dielectric:	PTFE

### How To Order

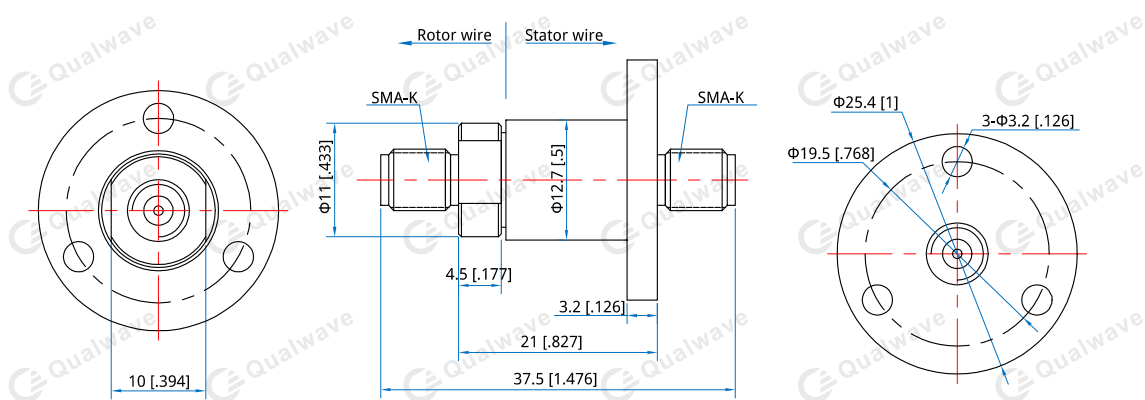
#### QRJ1-18000-12

Customization is available upon request.

### Environmental

Temperature: -55~+85°C

### Outline Drawings



Unit: mm [in]

Tolerance: ±0.2mm [±0.008in]