

## QSDC-0.009-250-K6-50-NS

9KHz~250MHz, 600W, 50dB

**Features:**

\* Low Insertion Loss

**Applications:**

 \* Amplifiers  
 \* Transmitter  
 \* Laboratory Test  
 \* Radar

**Electrical**

Frequency:	9KHz~250MHz
Insertion Loss:	0.4dB max.
Flatness:	±1.5dB max.
Coupling:	50±2dB
Directivity:	16dB min.
VSWR:	1.2 max.
Average Power:	600W

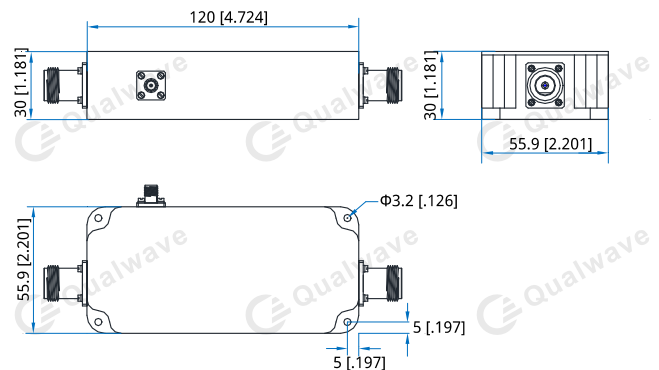
**Mechanical**

Size*1:	120*55.9*30mm 4.724*2.201*1.181in
RF Connectors:	N Female
Coupling Connectors:	SMA female
Mounting:	4-Φ3.2mm through-hole

[1] Exclude connectors

**Environmental**

Temperature:	-40~+85°C
--------------	-----------

**Outline Drawings**


Unit: mm [in]

Tolerance: ±0.3mm [±0.012in]

**How To Order**
[QSDC-0.009-250-K6-50-NS](#)

Customization is available upon request.