

## QSDC-1000-18000-30-6-S

1~18GHz, 30W, 6dB

### Features:

- \* Broadband
- \* Low Insertion Loss

### Applications:

- \* Amplifiers
- \* Transmitter
- \* Laboratory Test
- \* Radar

### Electrical

Frequency:	1~18GHz
Directivity:	15dB min.
Coupling Flatness:	±0.7dB max.
Impedance:	50Ω
Average Power:	30W max.

Coupling (dB)	Insertion Loss (dB max.)	VSWR (max.)
6±0.6	2.5	1.5

### Mechanical

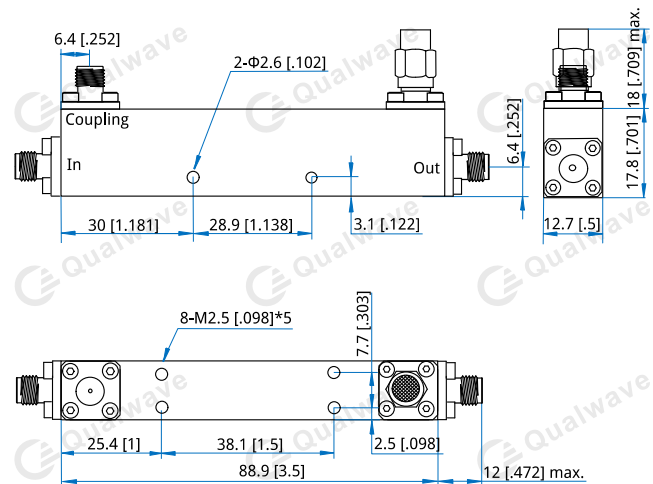
Size <sup>*1</sup> :	88.9*17.8*12.7mm 3.5*0.701*0.5in
Connectors:	SMA Female
Mounting:	2-Φ2.6mm through-hole 8-M2.5*5

[1] Exclude connectors and terminations.

### Environmental

Operation Temperature:	-55~+85°C
Non-operation Temperature:	-55~+100°C

### Outline Drawings



Outline A

Unit: mm [in]

Tolerance: .x±0.5mm [±0.02in], .xx±0.1mm [±0.004in]

### How To Order

[QSDC-1000-18000-30-6-S](#)

Customization is available upon request.