

## QSDC-1000-18000-30

### 1~18GHz, 30W

Features:  
 \* Broadband  
 \* Low Insertion Loss

Applications:  
 \* Amplifiers  
 \* Transmitter  
 \* Laboratory Test  
 \* Radar

#### Electrical

Frequency:	1~18GHz
Insertion Loss:	1.5dB max. 1.8dB max. (Outline A)
Coupling:	10, 20, 30dB
Coupling Flatness:	±1dB max.
Directivity:	10dB min.
VSWR:	1.6 max.
Average Power:	30W max.
Impedance:	50Ω

#### Mechanical

Size*1 (Outline A):	115*15.5*11mm 4.528*0.61*0.433in
Size*1 (Outline B):	90*15.5*11mm 3.543*0.61*0.433in
Connectors:	SMA Female
Mounting:	4-Φ2.2mm through-hole 4-M2, depth 5mm

[1] Exclude connectors and terminations.

#### Environmental

Operating Temperature: -40~+85°C

#### How To Order

**QSDC-1000-18000-30-X-Y**

X: Coupling:  
 10 - Outline A  
 20 - Outline B  
 30 - To be done  
 Y: Connector type

Connector naming rules:

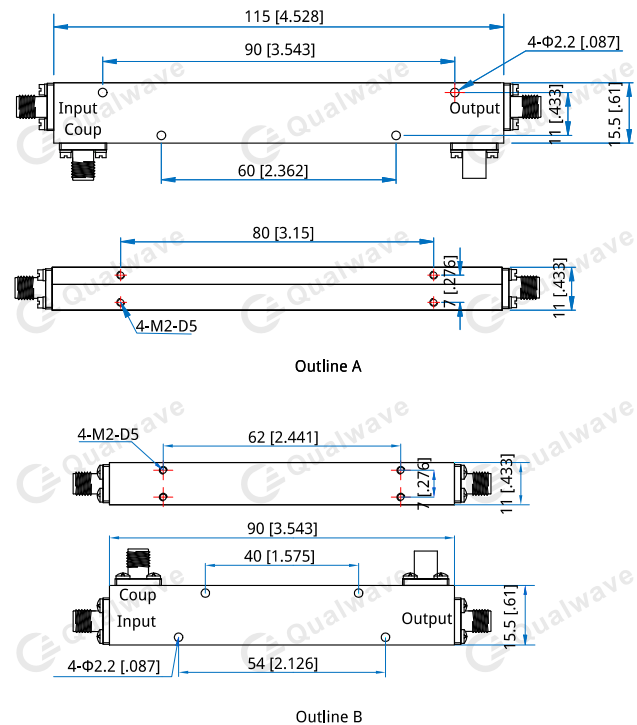
S - SMA Female

Examples:

To order a single directional coupler, 1~18GHz, 30W, 10dB, SMA, specify QSDC-1000-18000-30-10-S.

Customization is available upon request.

#### Outline Drawings



Unit: mm [in]  
 Tolerance: ±0.5mm [±0.02in]