

QSDC-1000-26500-30

1~26.5GHz, 30W

Features:
 * Broadband
 * Low Insertion Loss

Applications:
 * Amplifiers
 * Transmitter
 * Laboratory Test
 * Radar

Electrical

Frequency:	1~26.5GHz
Directivity:	13dB min.
Coupling Flatness:	±0.8dB max.
Impedance:	50Ω
Average Power:	30W max.

Coupling (dB)	Insertion Loss (dB max.)	VSWR (max.)
6±0.7	2.8	1.6
10±0.5	1.8	1.6
30±0.8	1.1	1.5

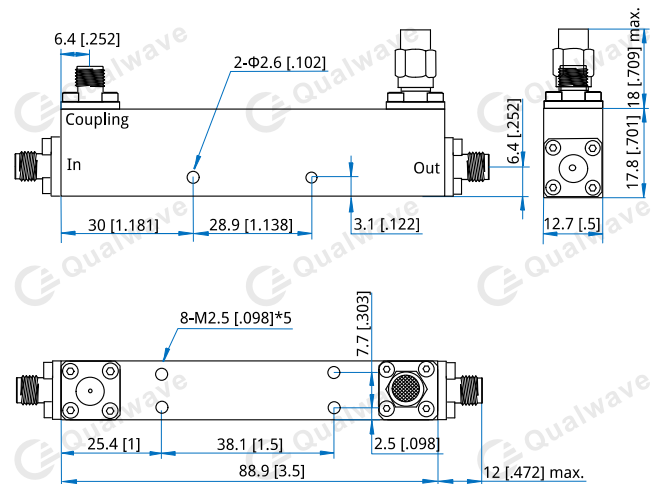
Mechanical

Connectors:	SMA Female
Mounting:	2-Φ2.6mm through-hole 8-M2*5

Environmental

Operation Temperature:	-55~+85°C
Non-operation Temperature:	-55~+100°C

Outline Drawings



Outline A

Unit: mm [in]

Tolerance: .xx±0.5mm [±0.02in], .xx±0.1mm [±0.004in]

How To Order

QSDC-1000-26500-30-X-Y

X: Coupling:

6, 10, 30dB - Outline A

Y: Connector type

Connector naming rules:

S - SMA female

Examples:

To order a single directional coupler, 1~26.5GHz, 30W, 10dB, SMA female, specify QSDC-1000-26500-30-10-S.

Customization is available upon request.