

QSDC-1000-50000-20

1~50GHz, 20W

Features:
 * Broadband
 * Low Insertion Loss

Applications:
 * Amplifiers
 * Transmitter
 * Laboratory Test
 * Radar

Electrical

Frequency: 1~50GHz
 Impedance: 50Ω
 Average Power: 20W max.

Coupling (dB)	Insertion Loss (dB max.)	VSWR (max.)	Coupling Flatness (dB max.)	Directivity (dB min.)
10±1	3.5	1.8	±1.2	8
20±1	3.0	1.8	±1.2	9

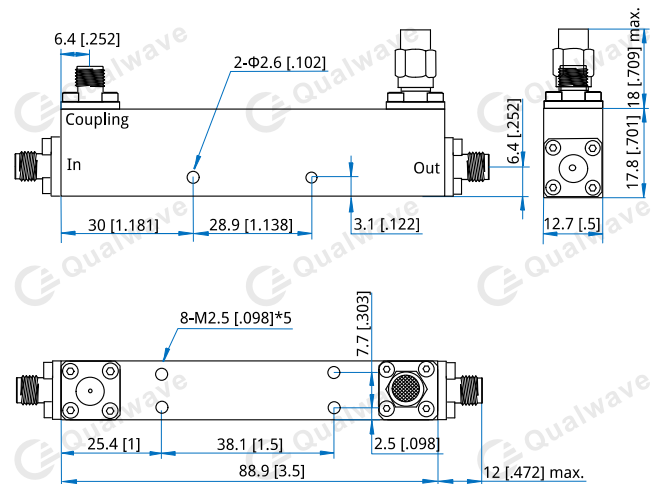
Mechanical

Connectors: 2.4mm Female
 Mounting: 2-Φ2.6mm through-hole
 8-M2.5*5

Environmental

Operation Temperature: -55~+85°C
 Non-operation Temperature: -55~+100°C

Outline Drawings



Outline A

Unit: mm [in]

Tolerance: .xx±0.5mm [±0.02in], .xx±0.1mm [±0.004in]

How To Order

QSDC-1000-50000-20-X-Y

X: Coupling:

10, 20dB - Outline A

Y: Connector type

Connector naming rules:

2 - 2.4mm Female

Examples:

To order a single directional coupler, 1~50GHz, 20W, 20dB, 2.4mm Female, specify QSDC-1000-50000-20-20-2.

Customization is available upon request.