

QSDC-1000-6000-K1-40-NS

1~6GHz, 100W, 40dB

Features:

- * Broadband
- * Low Insertion Loss

Applications:

- * Amplifiers
- * Transmitter
- * Laboratory Test
- * Radar

Electrical

Frequency:	1~6GHz
Directivity:	12dB min.
Impedance:	50Ω
Average Power:	100W

Coupling (dB)	Insertion Loss (dB max.)	VSWR (max.)
40±1	0.4	1.35 @Mainline 1.8 @Coupling

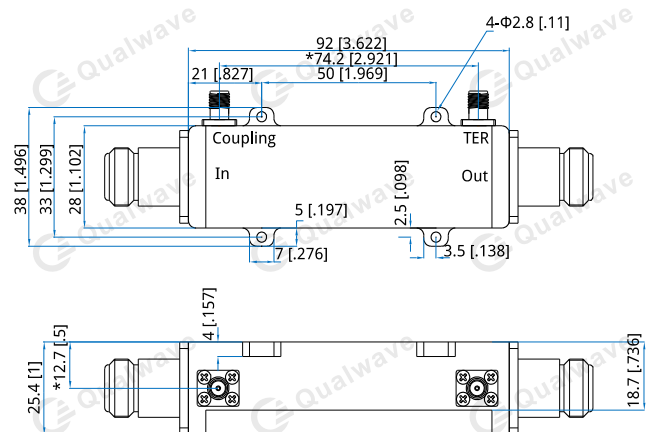
Mechanical

Size ^{*1} :	92*38*25.4mm 3.622*1.496*1in
RF Connectors:	N Female
Coupling Connectors:	SMA Female
Mounting:	4-Φ2.8mm through-hole

[1] Exclude connectors and terminations.

Environmental

Operation Temperature:	-55~+85°C
------------------------	-----------

Outline Drawings


"*" : Ensure dimensions for design

Unit: mm [in]

Tolerance: ±0.2mm [±0.008in]

How To Order

[QSDC-1000-6000-K1-40-NS](#)

Customization is available upon request.