

# QSDC-10750-12750-50

## 10.75~12.75GHz, 50W

**Features:**

- \* Broadband
- \* Low Insertion Loss

**Applications:**

- \* Amplifiers
- \* Transmitter
- \* Laboratory Test
- \* Radar

**Electrical**

Frequency:	10.75~12.75GHz
Insertion Loss:	0.6dB max. 0.5dB max. (30dB)
Coupling:	20±1.0, 30±1.0dB
Coupling Flatness:	±1.0dB max.
VSWR:	1.3 max. 1.4 max. (30dB)
Directivity:	15dB min.
Impedance:	50Ω
Average Power:	50W

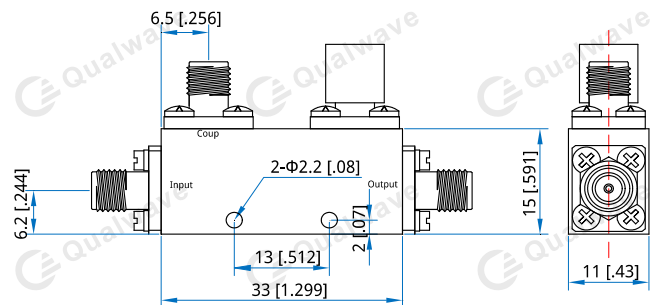
**Mechanical**

Size <sup>*1</sup> :	33*15*11mm 1.299*0.591*0.433in
Connectors:	SMA Female
Mounting:	2-Φ2.2mm through-hole

[1] Exclude connectors and terminations.

**Environmental**

Operating Temperature:	-45~+85°C
------------------------	-----------

**Outline Drawings**


Unit: mm [in]

Tolerance: ±0.3mm [±0.012in]

**How To Order**

**QSDC-10750-12750-50-X-Y**

X: Coupling: 20, 30

Y: Connector type

Connector naming rules:

S - SMA Female

Examples:

To order a single directional coupler, 10.75~12.75GHz, 50W, 20dB, SMA, specify QSDC-10750-12750-50-20-S.

Customization is available upon request.