

## QSDC-1290-1310-70

1.29~1.31GHz, 70W

**Features:**

- \* Broadband
- \* Low Insertion Loss

**Applications:**

- \* Amplifiers
- \* Transmitter
- \* Laboratory Test
- \* Radar

**Electrical**

Frequency:	1.29~1.31GHz
Insertion Loss:	1.8dB max. 0.8dB max. (10dB)
Coupling:	6±1, 10±1dB
Directivity:	20dB min.
VSWR:	1.3 max.
Average Power:	70W
Impedance:	50Ω

**Mechanical**

Size*1:	120*40*16.5mm 4.724*1.575*0.65in
Connectors:	N Female
Mounting:	2-Φ4mm through-hole

[1] Exclude connectors and terminations.

**How To Order**

**QSDC-600-6000-50-X-Y**

X: Coupling: 6, 10

Y: Connector type

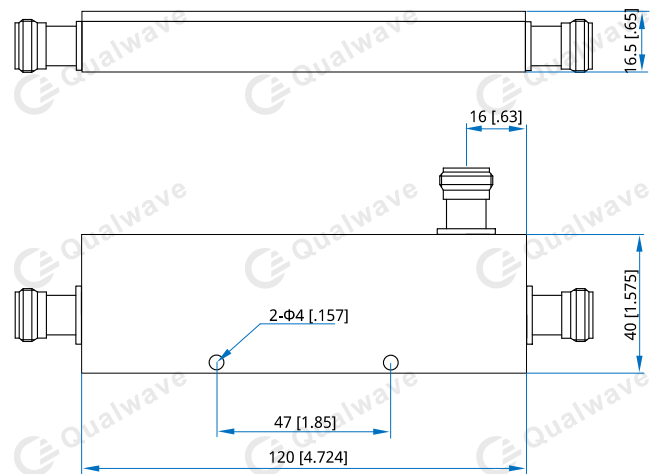
Connector naming rules:

N - N Female

Examples:

To order a single directional coupler, 0.6~6GHz, 50W, 10dB, SMA, specify QSDC-600-6000-50-10-S.

Customization is available upon request.

**Outline Drawings**


Unit: mm [in]

Tolerance: ±0.3mm [±0.012in]