

# QSDC-18000-26500-30-6-S

18~26.5GHz, 30W, 6dB

Features:  
 \* Broadband  
 \* Low Insertion Loss

Applications:  
 \* Amplifiers  
 \* Transmitter  
 \* Laboratory Test  
 \* Radar

## Electrical

Frequency:	18~26.5GHz
Directivity:	14dB min.
Coupling Flatness:	±0.5dB max.
Impedance:	50Ω
Average Power:	30W max.

Coupling (dB)	Insertion Loss (dB max.)	VSWR (max.)
6±0.5	2.3	1.5

## Mechanical

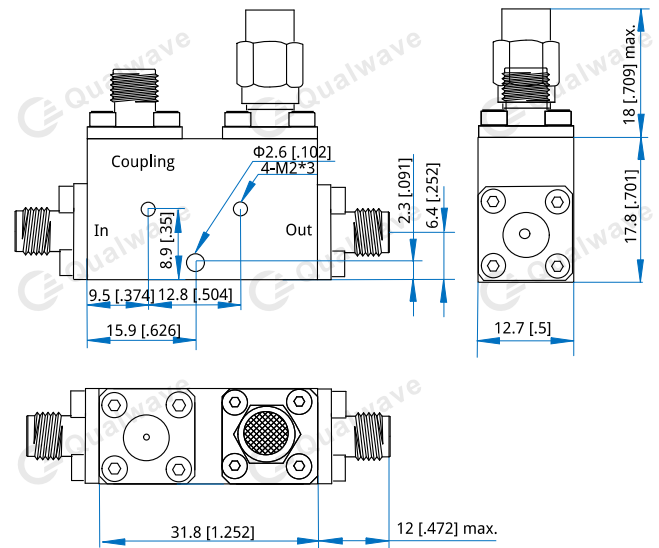
Size <sup>*1</sup> :	31.8*17.8*12.7mm 1.252*0.701*0.5in
Connectors:	SMA Female
Mounting:	1-Φ2.6mm through-hole 4-M2*3

[1] Exclude connectors and terminations.

## Environmental

Operation Temperature:	-55~+85°C
Non-operation Temperature:	-55~+100°C

## Outline Drawings



Unit: mm [in]

Tolerance: .x±0.5mm [±0.02in], .xx±0.1mm [±0.004in]

## How To Order

**QSDC-18000-26500-30-6-S**

Customization is available upon request.