

## QSDC-18000-50000-20

### 18~50GHz, 20W

Features:  
 \* Broadband  
 \* Low Insertion Loss

Applications:  
 \* Amplifiers  
 \* Transmitter  
 \* Laboratory Test  
 \* Radar

#### Electrical

Frequency: 18~50GHz  
 Impedance: 50Ω  
 Average Power: 20W CW

Coupling (dB)	Insertion Loss (dB max.)	VSWR (max.)	Coupling Flatness (dB max.)	Directivity (dB min.)
10±0.7	1.8	1.8	±0.7	9
20±0.8	1.5	1.8	±0.7	8

#### Mechanical

Connectors: 2.4mm Female  
 Mounting: 2-M2\*3

#### Environmental

Operation Temperature: -55~+85°C  
 Non-operation Temperature: -55~+100°C

#### How To Order

**QSDC-18000-50000-20-X-Y**

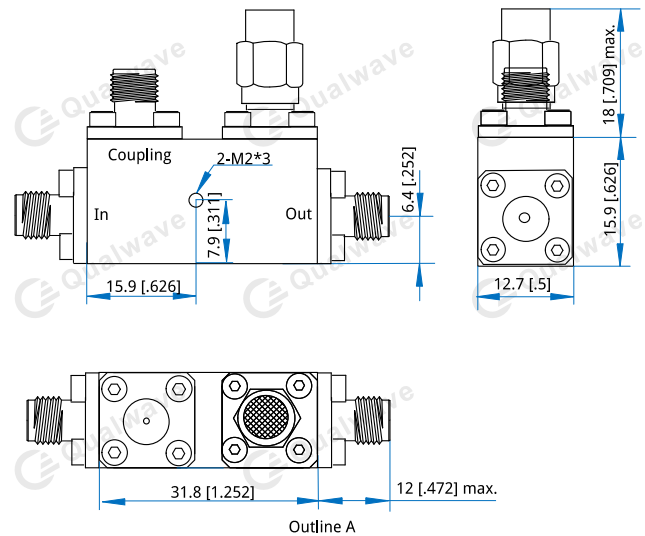
X: Coupling:  
 10, 20dB - Outline A  
 Y: Connector type

Connector naming rules:  
 2 - 2.4mm Female

Examples:  
 To order a single directional coupler, 1~50GHz, 20W, 20dB, 2.4mm Female, specify QSDC-18000-50000-20-20-2.

Customization is available upon request.

#### Outline Drawings



Unit: mm [in]

Tolerance: .x±0.5mm [±0.02in], .xx±0.1mm [±0.004in]