

QSDC-20-1000-K5-50-N

0.02~1GHz, 500W

Features:

- * Broadband
- * Low Insertion Loss

Applications:

- * Amplifiers
- * Transmitter
- * Laboratory Test
- * Radar

Electrical

Frequency:	0.02~1GHz
Insertion Loss:	0.3dB max.
Coupling:	50±2dB
Coupling Flatness:	±1.5dB
Directivity:	16dB min.
VSWR (Mainline):	1.2 max.
VSWR (Coupling):	1.6 max.
Average Power:	500W
Impedance:	50Ω

Mechanical

Size ^{*1} :	80*38.1*27.6mm 3.15*1.5*1.087in
Connectors:	N Female
Mounting:	4-Φ3.8mm through-hole

[1] Exclude connectors

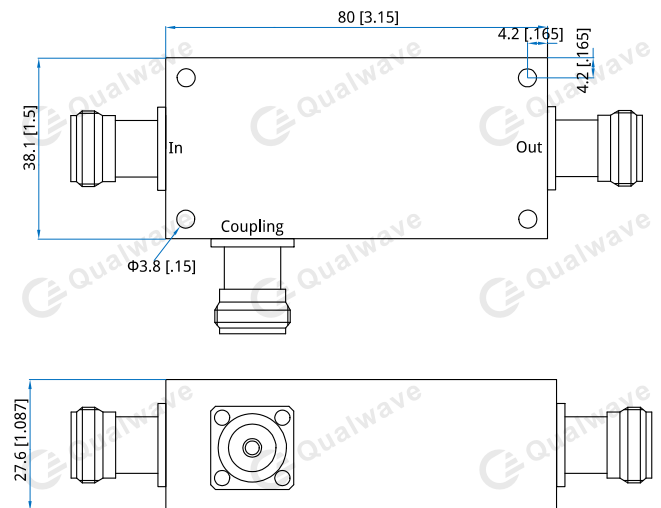
Environmental

Operation Temperature:	-40~+85°C
------------------------	-----------

How To Order

QSDC-20-1000-K5-50-N

Customization is available upon request.

Outline Drawings


Unit: mm [in]

Tolerance: ±0.5mm [±0.02in]