

QSDC-200-300-K5-40-N

0.2~0.3GHz, 500W, 40dB

Features:

- * Broadband
- * Low Insertion Loss

Applications:

- * Amplifiers
- * Transmitter
- * Laboratory Test
- * Radar

Electrical

Frequency:	0.2~0.3GHz
Insertion Loss:	0.3dB max.
VSWR (Mainline):	1.2 max.
Directivity:	16dB min.
Coupling:	40±1.5dB
Amplitude Balance:	±1.5dB
Impedance:	50Ω
Average Power:	500W (CW)

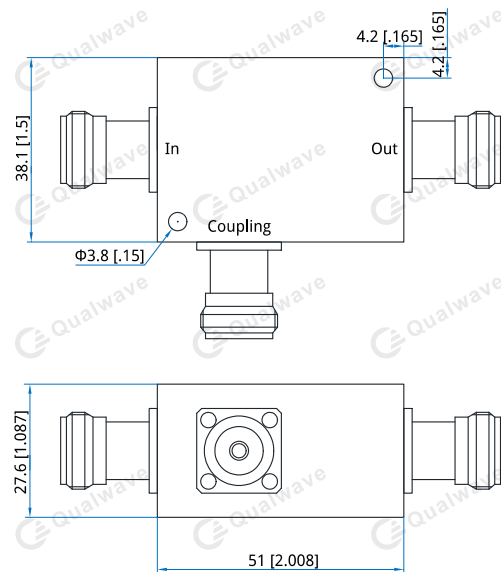
Mechanical

Size ^{*1} :	51*38.1*27.6mm 2.008*1.5*1.087in
Connectors:	N Female
Mounting:	2-Φ3.8mm through-hole

[1] Exclude connectors and terminations.

Environmental

Temperature:	-40~+85°C
--------------	-----------

Outline Drawings


Unit: mm [in]

Tolerance: ±0.5mm [±0.02in]

How To Order
[QSDC-200-300-K5-40-N](#)

Customization is available upon request.