

QSDC-2000-18000-30-6-S

2~18GHz, 30W, 6dB

Features:
 * Broadband
 * Low Insertion Loss

Applications:
 * Amplifiers
 * Transmitter
 * Laboratory Test
 * Radar

Electrical

Frequency:	2~18GHz
Directivity:	15dB min.
Coupling Flatness:	±0.6dB max.
Impedance:	50Ω
Average Power:	30W max.

Coupling (dB)	Insertion Loss (dB max.)	VSWR (max.)
6±0.6	2.3	1.6

Mechanical

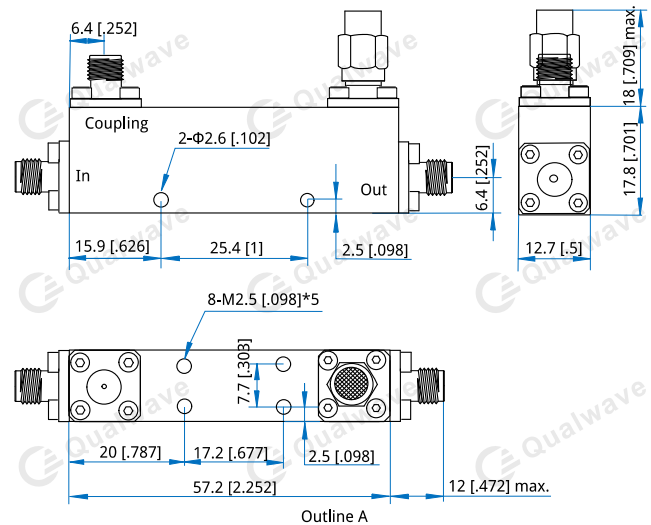
Size ^{*1} :	57.2*17.8*12.7mm 2.252*0.701*0.5in
Connectors:	SMA Female
Mounting:	2-Φ2.6mm through-hole 8-M2.5*5

[1] Exclude connectors and terminations.

Environmental

Operation Temperature:	-55~+85°C
Non-operation Temperature:	-55~+100°C

Outline Drawings



Unit: mm [in]

Tolerance: .x±0.5mm [±0.02in], .xx±0.1mm [±0.004in]

How To Order

[QSDC-2000-18000-30-6-S](#)

Customization is available upon request.