

QSDC-2000-26500-30

2~26.5GHz, 30W

Features:
 * Broadband
 * Low Insertion Loss

Applications:
 * Amplifiers
 * Transmitter
 * Laboratory Test
 * Radar

Electrical

Frequency: 2~26.5GHz
 Impedance: 50Ω
 Average Power: 30W max.

Coupling (dB)	Insertion Loss (dB max.)	VSWR (max.)	Coupling Flatness (dB max.)	Directivity (dB min.)
6±0.7	2.6	1.6	±0.8	13
10±0.5	1.5	1.5	±0.7	13
20±0.5	1.0	1.5	±0.6	14
30±0.6	1.0	1.5	±0.8	13

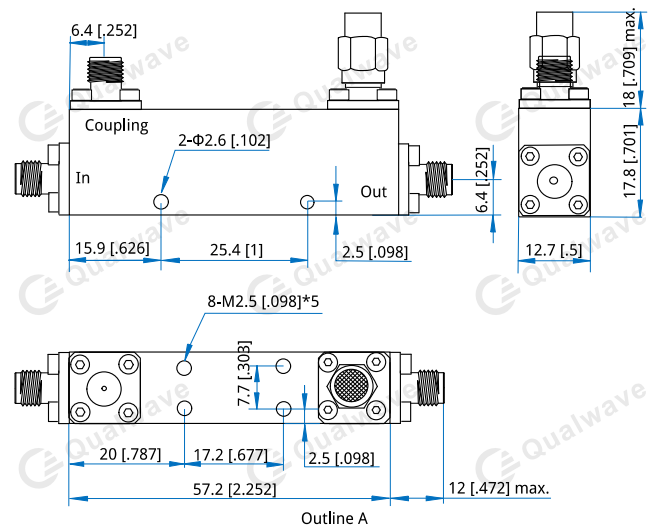
Mechanical

Connectors: SMA Female
 Mounting: 2-Φ2.6mm through-hole
 8-M2.5*5

Environmental

Operation Temperature: -55~+85°C
 Non-operation Temperature: -55~+100°C

Outline Drawings



Unit: mm [in]

Tolerance: .xx±0.5mm [±0.02in], .xx±0.1mm [±0.004in]

How To Order

QSDC-2000-26500-30-X-Y

X: Coupling:

6, 10, 20, 30dB - Outline A

Y: Connector type

Connector naming rules:

S - SMA female

Examples:

To order a single directional coupler, 2~26.5GHz, 30W, 20dB, SMA female, specify QSDC-2000-26500-30-20-S.

Customization is available upon request.