

QSDC-2000-4000-K4-40-N

2~4GHz, 400W, 40dB

Features:

- * Broadband
- * Low Insertion Loss

Applications:

- * Amplifiers
- * Transmitter
- * Laboratory Test
- * Radar

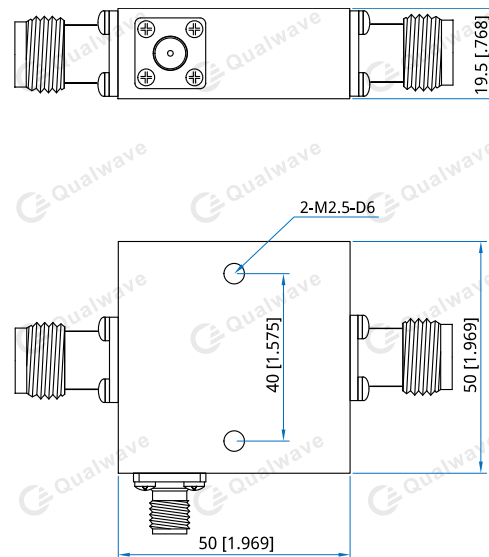
Electrical

Frequency:	2~4GHz
Insertion Loss:	0.5dB max.
Coupling:	40±1.5dB
VSWR:	1.3 max.
Average Power:	400W min.
Directivity:	10dB min.

Mechanical

Size ^{*1} :	50*50*19.5mm 1.969*1.969*0.768in
Connectors:	SMA Female, N Female
Mounting:	2-M2.5, depth 6mm

[1] Exclude connectors and terminations.

Outline Drawings


Unit: mm [in]

Tolerance: ±0.5mm [±0.02in]

How To Order

[QSDC-1000-4000-K4-40-N](#)

Customization is available upon request.