

QSDC-2000-50000-20

2~50GHz, 20W

Features:
 * Broadband
 * Low Insertion Loss

Applications:
 * Amplifiers
 * Transmitter
 * Laboratory Test
 * Radar

Electrical

Frequency: 2~50GHz
 Impedance: 50Ω
 Average Power: 20W

Coupling (dB)	Insertion Loss (dB max.)	VSWR (max.)	Coupling Flatness (dB max.)	Directivity (dB min.)
10±2	2.0	1.8	±1.3	10
20±2	2.0	1.8	±1.8	10

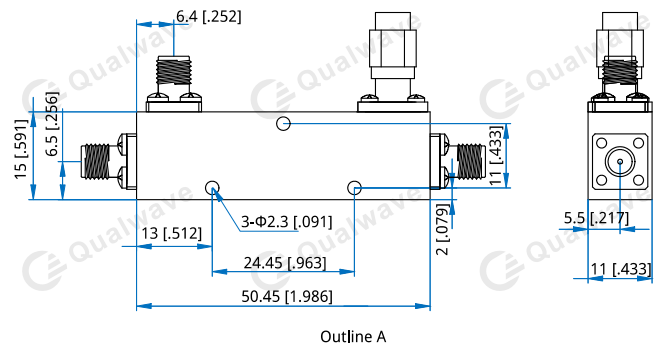
Mechanical

Connectors: 2.4mm Female
 Mounting: 3-Φ2.3mm through-hole

Environmental

Operation Temperature: -40~+85°C

Outline Drawings



Unit: mm [in]

Tolerance: .xx±0.5mm [±0.02in], .xx±0.1mm [±0.004in]

How To Order

QSDC-2000-50000-20-X-Y

X: Coupling:
 10, 20dB - Outline A
 Y: Connector type

Connector naming rules:
 2 - 2.4mm Female

Examples:

To order a single directional coupler, 2~50GHz, 20W, 20dB, 2.4mm Female, specify QSDC-2000-50000-20-20-2.

Customization is available upon request.