

## QSDC-2000-67000-12-10-V

### 2~67GHz, 12W

Features:  
 \* Broadband  
 \* Low Insertion Loss

Applications:  
 \* Amplifiers  
 \* Transmitter  
 \* Laboratory Test  
 \* Radar

### Electrical

Frequency: 2~67GHz  
 Impedance: 50Ω  
 Average Power: 12W max.

Coupling (dB)	Insertion Loss (dB max.)	VSWR (max.)	Coupling Flatness (dB max.)	Directivity (dB min.)
10±1.2	2.7	1.9	±1.2	7

### Mechanical

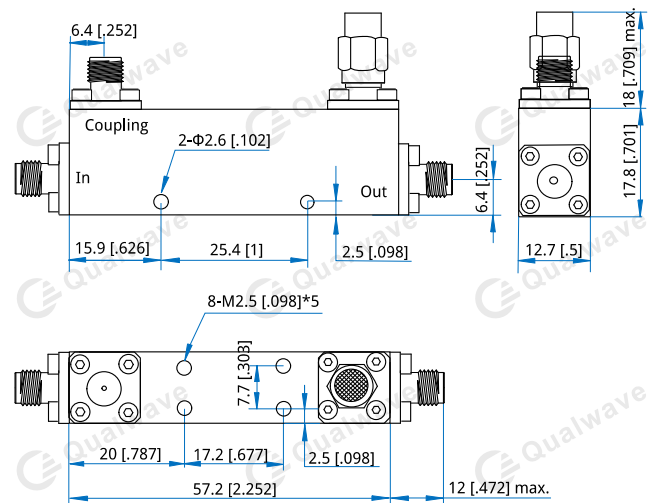
Size<sup>\*1</sup>: 57.2\*17.8\*12.7mm  
 2.252\*0.701\*0.5in  
 Connectors: 1.85mm Female  
 Mounting: 2-Φ2.6mm through-hole  
 8-M2.5\*5

[1] Exclude connectors and terminations.

### Environmental

Operation Temperature: -55~+85°C  
 Non-operation Temperature: -55~+100°C

### Outline Drawings



Unit: mm [in]

Tolerance: .x±0.5mm [±0.02in], .xx±0.1mm [±0.004in]

### How To Order

[QSDC-2000-67000-12-10-V](#)

Customization is available upon request.