

QSDC-26500-40000-20-6-K

26.5~40GHz, 20W, 10dB

Features:
 * Broadband
 * Low Insertion Loss

Applications:
 * Amplifiers
 * Transmitter
 * Laboratory Test
 * Radar

Electrical

Frequency:	26.5~40GHz
Directivity:	12dB min.
Coupling Flatness:	±0.6dB max.
Impedance:	50Ω
Average Power:	20W CW

Coupling (dB)	Insertion Loss (dB max.)	VSWR (max.)
6±0.7	2.6	1.7

Mechanical

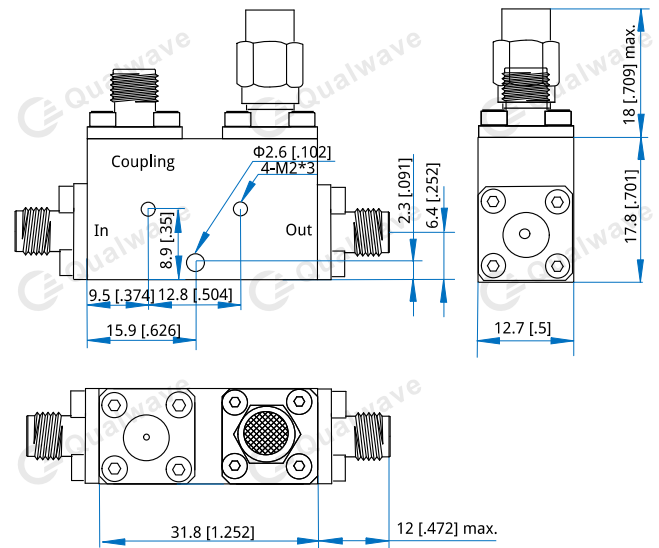
Size ^{*1} :	31.8*17.8*12.7mm 1.252*0.701*0.5in
Connectors:	2.92mm Female
Mounting:	1-Φ2.6mm through-hole 4-M2*3

[1] Exclude connectors and terminations.

Environmental

Operation Temperature:	-55~+85°C
Non-operation Temperature:	-55~+100°C

Outline Drawings



Unit: mm [in]

Tolerance: .xx±0.5mm [±0.02in], .xx±0.1mm [±0.004in]

How To Order

QSDC-26500-40000-20-6-K

Customization is available upon request.