

QSDC-26500-67000-12-10-V

26.5~67GHz, 12W, 10dB

Features:
 * Broadband
 * Low Insertion Loss

Applications:
 * Amplifiers
 * Transmitter
 * Laboratory Test
 * Radar

Electrical

Frequency:	26.5~67GHz
Directivity:	7dB min.
Coupling Flatness:	±1dB max.
Impedance:	50Ω
Average Power:	12W CW

Coupling (dB)	Insertion Loss (dB max.)	VSWR (max.)
10±1	2.5	1.9

Mechanical

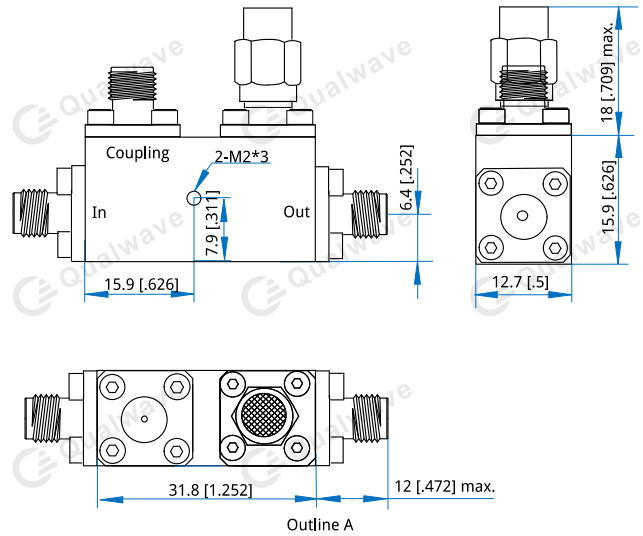
Size ^{*1} :	31.8*15.9*12.7mm 1.252*0.626*0.5in
Connectors:	1.85mm Female
Mounting:	2-M2*3

[1] Exclude connectors and terminations.

Environmental

Operation Temperature:	-55~+85°C
Non-operation Temperature:	-55~+100°C

Outline Drawings



Unit: mm [in]

Tolerance: .x±0.5mm [±0.02in], .xx±0.1mm [±0.004in]

How To Order

[QSDC-26500-67000-12-10-V](#)

Customization is available upon request.