

QSDC-4000-30000-30-20-K

4~30GHz, 30W, 20dB

Features:
 * Broadband
 * Low Insertion Loss

Applications:
 * Amplifiers
 * Transmitter
 * Laboratory Test
 * Radar

Electrical

Frequency:	4~30GHz
Insertion Loss:	1.5dB max.
Coupling:	20±1dB
Coupling Flatness:	±0.8dB
Directivity:	12dB min.
VSWR:	1.6 max.
Impedance:	50Ω
Average Power:	30W

Mechanical

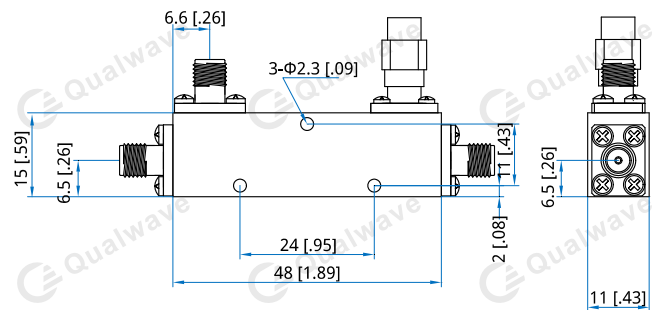
Size ^{*1} :	48*15*11mm 1.89*0.591*0.433in
Connectors:	2.92mm Female
Mounting:	3-Φ2.3mm through-hole

[1] Exclude connectors and terminations.

Environmental

Operation Temperature:	-45~+85°C
------------------------	-----------

Outline Drawings



Outline A

Unit: mm [in]
 Tolerance: ±0.5mm [±0.04in]

How To Order

QSDC-4000-30000-30-20-K

Customization is available upon request.