

## QSDC-4000-50000-20-10-2

4~50GHz, 20W, 10dB

**Features:**

- \* Broadband
- \* Low Insertion Loss

**Applications:**

- \* Amplifiers
- \* Transmitter
- \* Laboratory Test
- \* Radar

**Electrical**

Frequency:	4~50GHz
Insertion Loss:	2.0dB max.
VSWR:	1.8 max.
Directivity:	10dB min.
Coupling:	10±2.0dB max.
Frequency Sensitivity:	±1.8dB max.
Impedance:	50Ω
Average Power:	20W

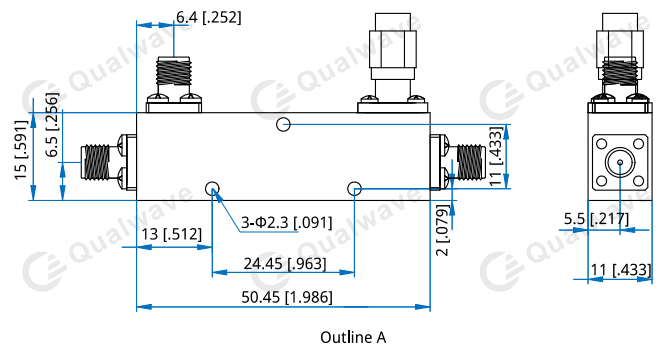
**Mechanical**

Size <sup>*1</sup> :	50.45*15*11mm 1.986*0.591*0.433in
Connectors:	2.4mm Female
Mounting:	3-Φ2.3mm through-hole

[1] Exclude connectors and terminations.

**Environmental**

Temperature:	-40~+85°C
--------------	-----------

**Outline Drawings**


Unit: mm [in]

Tolerance: ±0.5mm [±0.02in]

**How To Order**

**QSDC-4000-50000-20-10-2**

Customization is available upon request.