

# QSDC-4000-6000-K4-40-N

4~6GHz, 400W, 40dB

**Features:**

- \* Broadband
- \* Low Insertion Loss

**Applications:**

- \* Amplifiers
- \* Transmitter
- \* Laboratory Test
- \* Radar

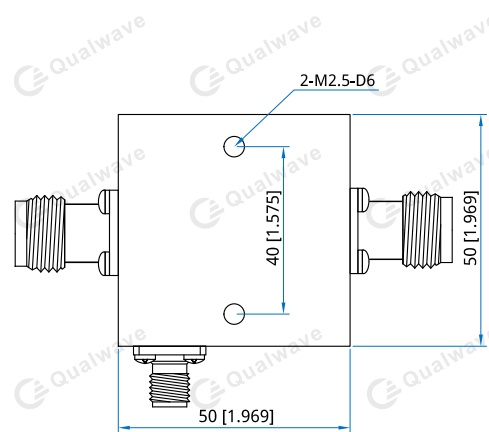
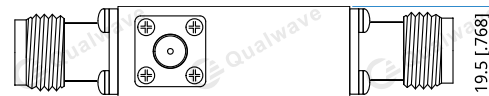
**Electrical**

Frequency:	4~6GHz
Insertion Loss:	0.6dB max.
Coupling:	40±1.5dB
VSWR:	1.3 max.
Average Power:	400W min.
Directivity:	10dB min.

**Mechanical**

Size*1:	50*50*19.5mm 1.969*1.969*0.768in
Connectors:	SMA Female, N Female
Mounting:	2-M2.5, depth 6mm

[1] Exclude connectors and terminations.

**Outline Drawings**


Unit: mm [in]

Tolerance: ±0.5mm [±0.02in]

**How To Order**

[QSDC-4000-6000-K4-40-N](#)

Customization is available upon request.