

QSDC-500-26500-30

0.5~26.5GHz, 30W

Features:
 * Broadband
 * Low Insertion Loss

Applications:
 * Amplifiers
 * Transmitter
 * Laboratory Test
 * Radar

Electrical

Frequency: 0.5~26.5GHz
 Impedance: 50Ω
 Average Power: 30W max.

Coupling (dB)	Insertion Loss (dB max.)	VSWR (max.)	Coupling Flatness (dB max.)	Directivity (dB min.)
6±0.8	2.9	1.6	±1.2	13
10±0.7	2.2	1.5	±1.0	14
20±0.7	1.4	1.5	±1.0	14
30±1	1.3	(Mainline) 1.6 (Coupling)	±1.3	13

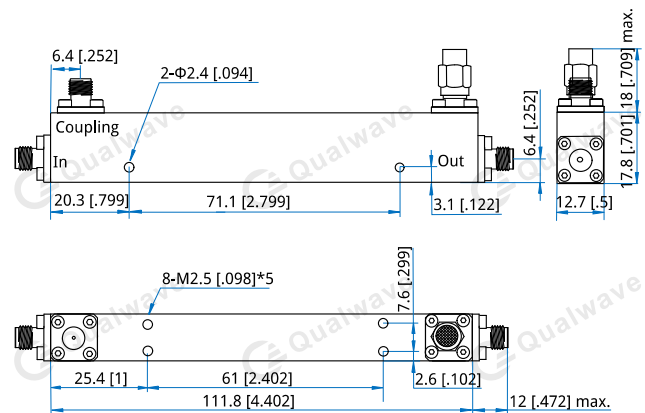
Mechanical

Connectors: SMA Female
 Mounting: 2-Φ2.4mm through-hole
 8-M2.5*5

Environmental

Operation Temperature: -55~+85°C
 Non-operation Temperature: -55~+100°C

Outline Drawings



Outline A

Unit: mm [in]

Tolerance: .xx±0.5mm [±0.02in], .xxx±0.1mm [±0.004in]

How To Order

QSDC-500-26500-30-X-Y

X: Coupling:

6, 10, 20, 30dB - Outline A

Y: Connector type

Connector naming rules:

S - SMA female

Examples:

To order a dual directional coupler, 0.5~26.5GHz, 30W, 20dB, SMA female, specify QSDC-500-26500-30-20-S.

Customization is available upon request.