

QSDC-500-6000-K3-40-N

0.5~6GHz, 300W, 40dB

Features:
 * Broadband
 * Low Insertion Loss

Applications:
 * Amplifiers
 * Transmitter
 * Laboratory Test
 * Radar

Electrical

Frequency:	0.5~6GHz
Insertion Loss:	0.6dB max.
Coupling:	40±2dB
Coupling Flatness:	±1.5dB
Directivity:	15dB min.
VSWR (Mainline):	1.2 max.
VSWR (Coupling):	1.5 max.
Average Power:	300W
Impedance:	50Ω

Mechanical

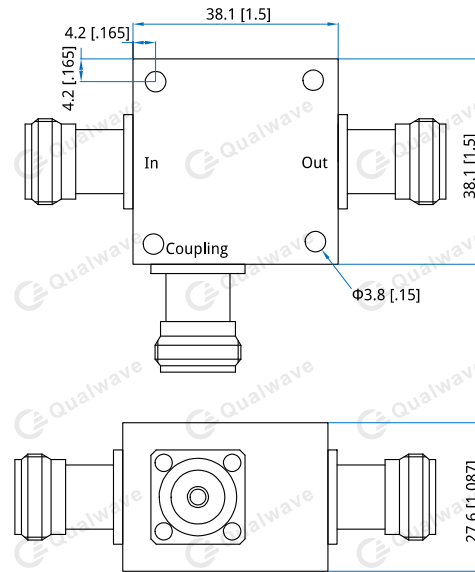
Size ^{*1} :	38.1*38.1*27.6mm 1.5*1.5*1.087in
Connectors:	N Female
Mounting:	2-Φ3.8mm through-hole

[1] Exclude connectors and terminations.

Environmental

Operation Temperature:	-40~+85°C
------------------------	-----------

Outline Drawings



Unit: mm [in]
 Tolerance: ±0.3mm [±0.012in]

How To Order

QSDC-500-6000-K3-40-N

Customization is available upon request.