

QSDC-6000-18200-30

6~18.2GHz, 30W

Features:

- * Broadband
- * Low Insertion Loss

Applications:

- * Amplifiers
- * Transmitter
- * Laboratory Test
- * Radar

Electrical

Frequency:	6~18.2GHz
Insertion Loss:	1.2dB max.
	1dB max. (10dB)
	0.6dB max. (30dB)
VSWR:	1.5 max.
Directivity:	12dB min.
Coupling:	6±1, 10±1, 30±1dB
Frequency Sensitivity:	±1dB max.
Impedance:	50Ω
Average Power:	30W

Mechanical

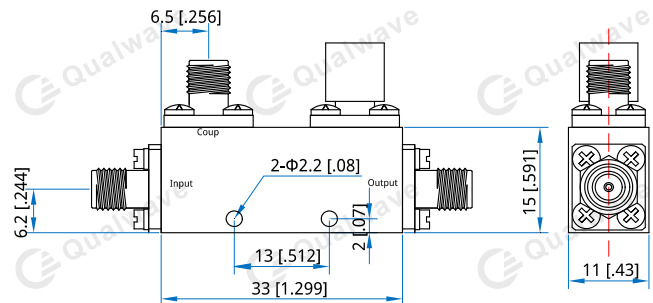
Size ^{*1} :	33*15*11mm
	1.299*0.591*0.433in
Connectors:	SMA Female
Mounting:	2-Φ2.3mm through-hole

[1] Exclude connectors and terminations.

Environmental

Temperature:	-40~+85°C
--------------	-----------

Outline Drawings



Unit: mm [in]

Tolerance: ±0.5mm [±0.02in]

How To Order

QSDC-6000-18200-30-X-Y

X: Coupling: 6, 10, 30

Y: Connector type

Connector naming rules:

S - SMA Female

Examples:

To order a single directional coupler, 6~18.2GHz, 30W, 10dB, SMA, specify: QSDC-6000-18200-30-10-S.

Customization is available upon request.