

## QSDC-6000-40000-20

### 6~40GHz, 20W

Features:  
 \* Broadband  
 \* Low Insertion Loss

Applications:  
 \* Amplifiers  
 \* Transmitter  
 \* Laboratory Test  
 \* Radar

### Electrical

Frequency: 6~40GHz  
 Impedance: 50Ω  
 Average Power: 20W max.

Coupling (dB)	Insertion Loss (dB max.)	VSWR (max.)	Coupling Flatness (dB max.)	Directivity (dB min.)
6±0.8	2.6	1.7	±0.9	10
10±0.7	1.6	1.6	±0.8	10
20±0.7	1.3	1.6	±0.8	10
30±0.7	1.0	1.7	±0.9	10

### Mechanical

Connectors: 2.92mm Female

### Environmental

Operation Temperature: -55~+85°C  
 Non-operation Temperature: -55~+100°C

### How To Order

**QSDC-6000-40000-20-X-Y**

X: Coupling:

6dB - Outline A

10, 20, 30dB - Outline B

Y: Connector type

Connector naming rules:

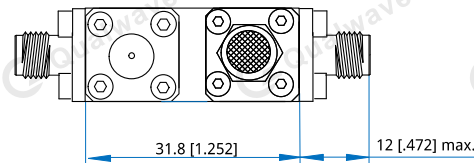
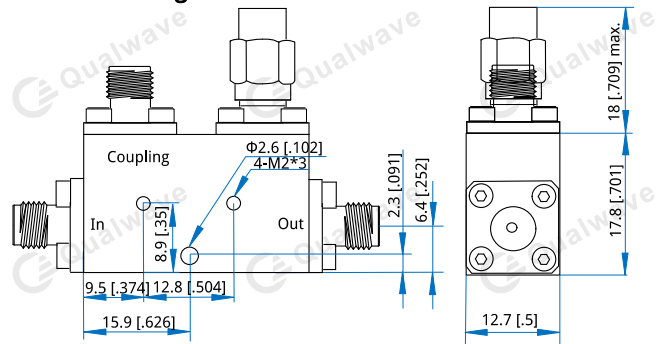
K - 2.92mm female

Examples:

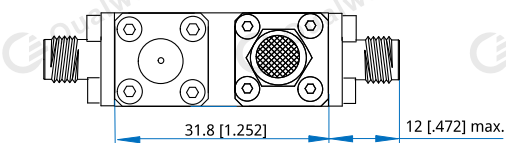
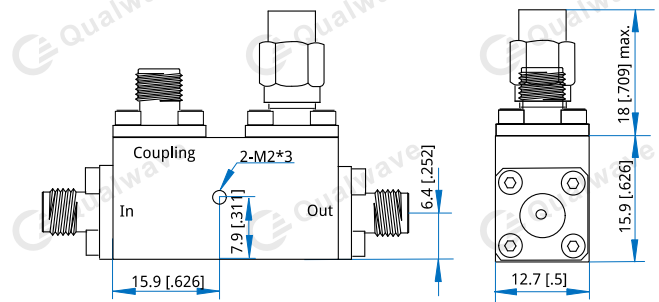
To order a single directional coupler, 1~40GHz, 20W, 30dB, 2.92mm female, specify QSDC-6000-40000-20-30-K.

Customization is available upon request.

### Outline Drawings



Outline A



Outline B

Unit: mm [in]

Tolerance: .x±0.5mm [±0.02in], .xx±0.1mm [±0.004in]