

QSDC-6000-50000-20-10-2

6~50GHz, 20W, 10dB

Features:
 * Broadband
 * Low Insertion Loss

Applications:
 * Amplifiers
 * Transmitter
 * Laboratory Test
 * Radar

Electrical

Frequency:	6~50GHz
Directivity:	8dB min.
Coupling Flatness:	±0.8dB max.
Impedance:	50Ω
Average Power:	20W max.

Coupling (dB)	Insertion Loss (dB max.)	VSWR (max.)
10±0.8	1.9	1.8

Mechanical

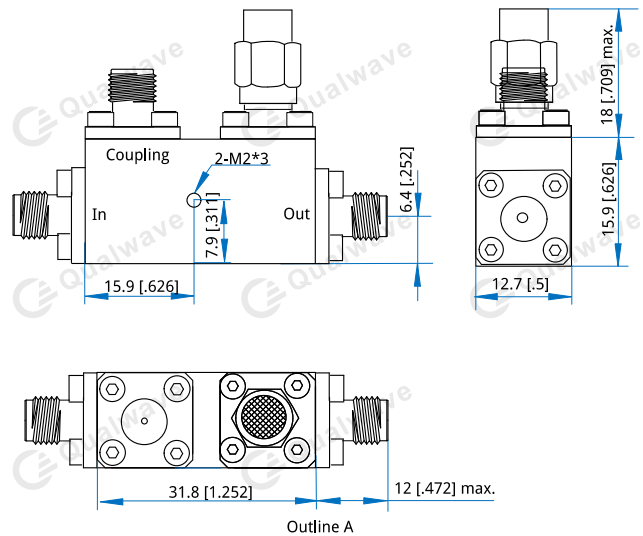
Size ^{*1} :	31.8*15.9*12.7mm 1.252*0.626*0.5in
Connectors:	2.4mm Female
Mounting:	2-M2*3

[1] Exclude connectors and terminations.

Environmental

Operation Temperature:	-55~+85°C
Non-operation Temperature:	-55~+100°C

Outline Drawings



Unit: mm [in]

Tolerance: .x±0.5mm [±0.02in], .xx±0.1mm [±0.004in]

How To Order

QSDC-6000-50000-20-10-2

Customization is available upon request.