

# QSDC-6000-67000-12-10-V

6~67GHz, 12W, 10dB

Features:  
 \* Broadband  
 \* Low Insertion Loss

Applications:  
 \* Amplifiers  
 \* Transmitter  
 \* Laboratory Test  
 \* Radar

## Electrical

Frequency:	6~67GHz
Directivity:	7dB min.
Coupling Flatness:	±1.1dB max.
Impedance:	50Ω
Average Power:	12W max.

Coupling (dB)	Insertion Loss (dB max.)	VSWR (max.)
10±1.1	2.5	1.9

## Mechanical

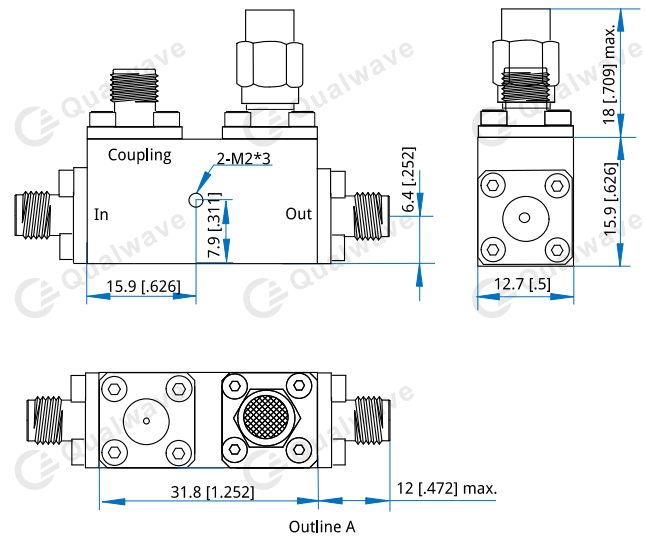
Size <sup>*1</sup> :	31.8*15.9*12.7mm 1.252*0.626*0.5in
Connectors:	1.85mm Female
Mounting:	2-M2*3

[1] Exclude connectors and terminations.

## Environmental

Operation Temperature:	-55~+85°C
Non-operation Temperature:	-55~+100°C

## Outline Drawings



Unit: mm [in]

Tolerance: .x±0.5mm [±0.02in], .xx±0.1mm [±0.004in]

## How To Order

**QSDC-6000-67000-12-10-V**

Customization is available upon request.