

QSDC-65000-86000-20-10-1

65~86GHz, 20W, 10dB

Features:

- * Broadband
- * Low Insertion Loss

Applications:

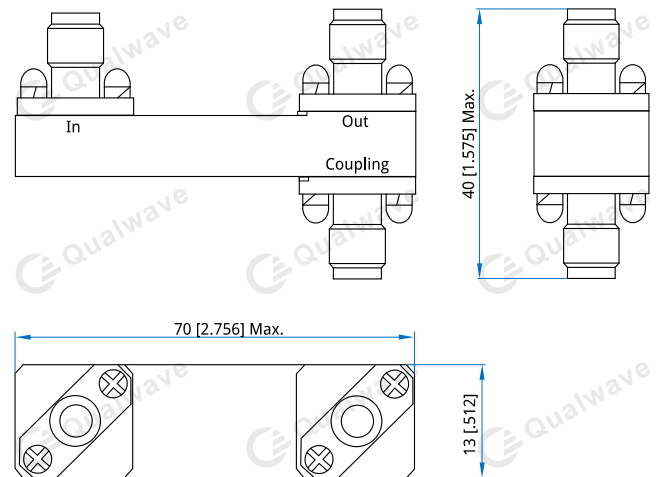
- * Amplifiers
- * Transmitter
- * Laboratory Test
- * Radar

Electrical

| | |
|-----------------|-----------|
| Frequency: | 65~86GHz |
| Insertion Loss: | 2dB max. |
| Coupling: | 10±3dB |
| Directivity: | 12dB min. |
| VSWR: | 2.5 max. |
| Average Power: | 20W |

Mechanical

| | |
|-------------|-----------------------------------|
| Size: | 70*40*13mm 2.756*1.575*0.512in |
| Weight: | 200g |
| Connectors: | 1.0mm Female |

Outline Drawings


Unit: mm [in]

Tolerance: ±0.3mm [±0.012in]

How To Order
[QSDC-65000-86000-20-10-1](#)

Customization is available upon request.