

QSDC-80-1000-K6-60-NS

80~1000MHz, 600W, 60dB

Features:

- * Broadband
- * Low Insertion Loss

Applications:

- * Amplifiers
- * Transmitter
- * Laboratory Test
- * Radar

Electrical

Frequency:	80~1000MHz
Insertion Loss:	0.4dB max.
Coupling:	60±1dB
Coupling Flatness:	±0.5dB max.
Directivity:	20dB min.
VSWR:	1.2 max.
Average Power:	600W

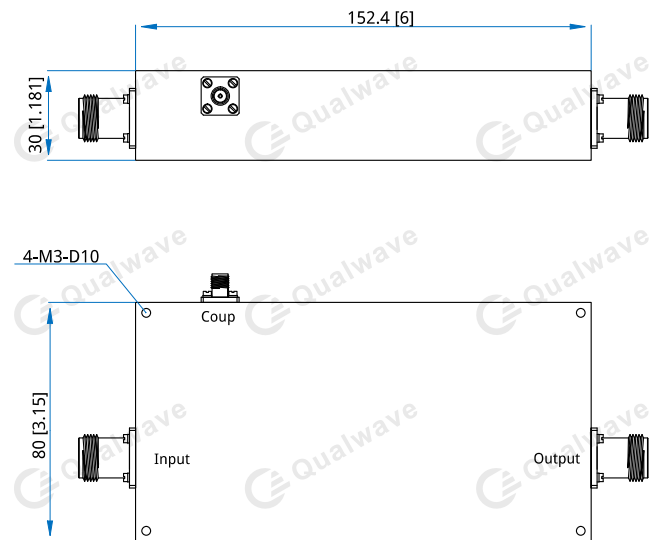
Mechanical

Size ^{*1} :	152.4*30*80mm 6*1.181*3.15in
Connectors:	N Female, SMA Female
Mounting:	4-M3, depth 10mm

[1] Exclude connectors and terminations.

Environmental

Temperature:	-40~+85°C
--------------	-----------

Outline Drawings


Unit: mm [in]

Tolerance: ±0.3mm [±0.012in]

How To Order

QSDC-80-1000-K6-60-NS

Customization is available upon request.