

QSDC-8000-12400-K1-30-N

8~12.4GHz, 100W, 30dB

Features:
 * Broadband
 * Low Insertion Loss

Applications:
 * Amplifiers
 * Transmitter
 * Laboratory Test
 * Radar

Electrical

Frequency:	8~12.4GHz
Insertion Loss:	0.4dB max.
Coupling:	30±1dB
Coupling Flatness:	±1dB max.
Directivity:	10dB min.
VSWR:	1.4 max.
Average Power:	100W
Impedance:	50Ω

Mechanical

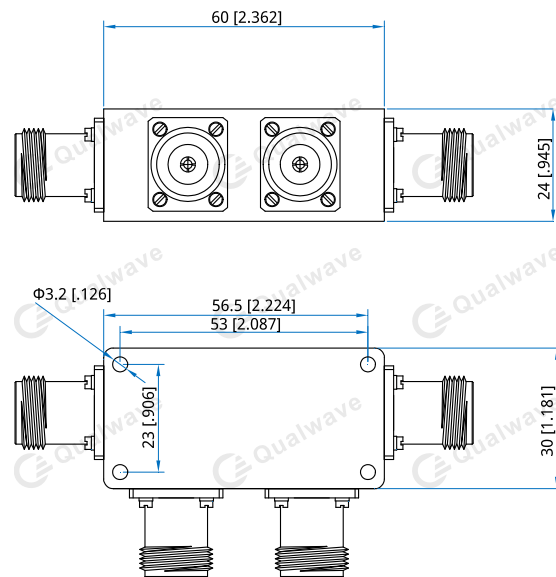
Size ^{*1} :	60*30*24mm 2.362*1.181*0.945in
Connectors:	N Female
Mounting:	4-Φ3.2mm through-hole

[1] Exclude connectors and terminations.

Environmental

Temperature:	-40~+85°C
--------------	-----------

Outline Drawings



Unit: mm [in]

Tolerance: ±0.3mm [±0.012in]

How To Order

QSDC-8000-12400-K1-30-N

Customization is available upon request.