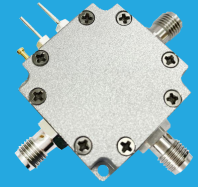


QPS2-100-4000-A

SPDT, 0.1~4GHz, Absorptive

Features:
 * Low Insertion Loss
 * High Isolation

Applications:
 * Wireless
 * Transmitter
 * Laboratory Test
 * Radar



Electrical

Frequency:	0.1~4GHz
Supply Voltage:	+5±0.5V
Current:	50mA typ.
Control:	TTL High - 1 TTL Low/NC - 0

Frequency range (GHz)	Insertion Loss (dB)	Isolation (dB)	VSWR (On state)
0.1~1	1.4	40	1.8
1~3.5	1.4	40	1.2
3.5~4	1.8	35	1.2

Absolute Maximum Ratings

RF Input Power:	+26dBm
Control Voltage Range:	-0.5~+7V DC
Hot Switch Power:	+18dBm

Mechanical

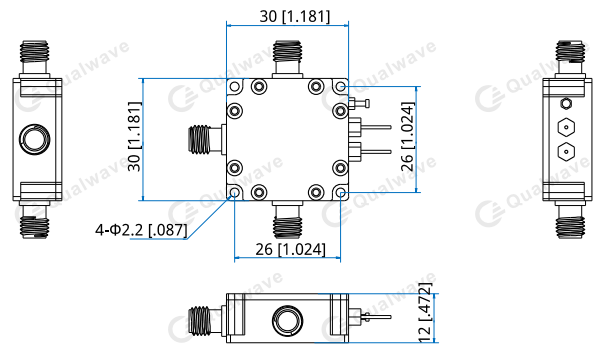
Size*1:	30*30*12mm 1.181*1.181*0.472in
Switching Time:	100nS max.
RF Connectors:	SMA Female
Power Supply Connectors:	Feed Through/Terminal Post
Mounting:	4-Φ2.2mm through-hole

[1] Exclude connectors.

Environmental

Operating Temperature:	-40~+85°C
Non-operating Temperature:	-65~+150°C

Outline Drawings



Unit: mm [in]
 Tolerance: ±0.2mm [±0.008in]

Control True Table

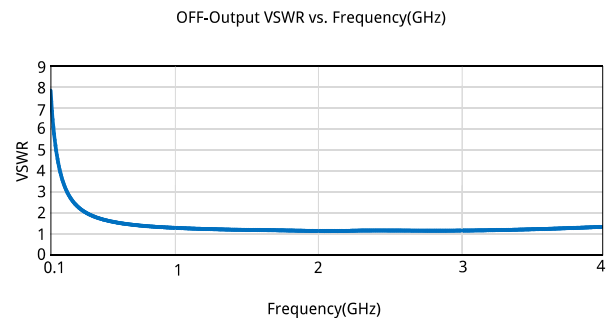
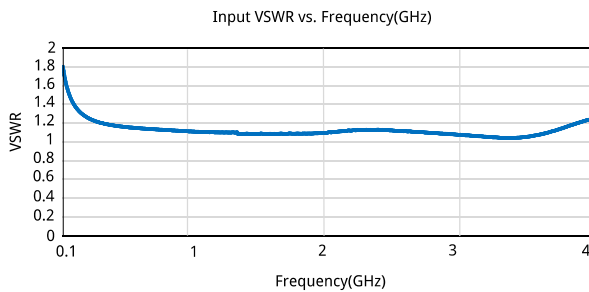
Control	Connection
0	J0 - J2 On
1	J0 - J1 On

How To Order

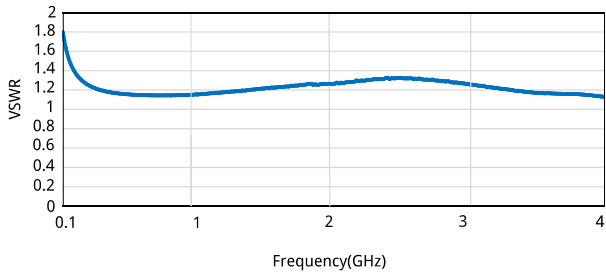
QPS2-100-4000-A

Customization is available upon request.

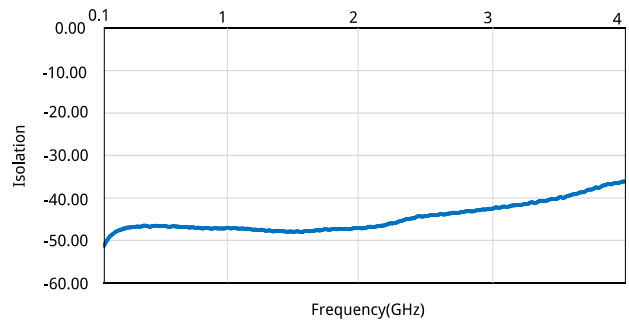
Typical Performance Curves



ON-Output VSWR vs. Frequency(GHz)



Isolation vs. Frequency(GHz)



Insertion Loss vs. Frequency(GHz)

