

QPS2-10000-40000-R-1

SPDT, 10~40GHz, Reflective

Features:

- * Low Insertion Loss
- * High Isolation

Applications:

- * Wireless
- * Transmitter
- * Laboratory Test
- * Radar

Electrical

Frequency:	10~40GHz
Insertion Loss:	4.5dB max.
Isolation:	65dB min.
VSWR:	2.5 max.
Input Power:	23dBm max.
Voltage/Current:	+5V@100mA max.
	-5V@50mA max.
Control:	TTL High - 1
	TTL Low/NC - 0

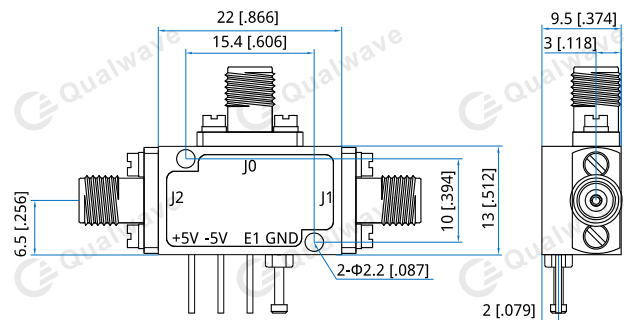
Mechanical

Size ^{*1} :	22*13*9.5mm
	0.866*0.512*0.374in
Switching Time:	50nS max.
RF Connectors:	2.92mm Female
Power Supply Connectors:	Feed Through/Terminal Post
Housing Material:	Gold plated aluminum or Nickel plated aluminum
Mounting:	2-Φ2.2mm through-hole

[1] Exclude connectors.

Environmental

Operating Temperature:	-45~+85°C
Non-operating Temperature:	-55~+125°C

Outline Drawings


Unit: mm [in]

Tolerance: ±0.2mm [±0.008in]

Control True Table

E1	Connection
0	J0 - J1 On
1	J0 - J2 On

How To Order

QPS2-10000-40000-R-1

Customization is available upon request.