

# QPS2-12000-18000-R-2

## SPDT, 12~18GHz, Reflective

**Features:**

- \* Low Insertion Loss
- \* High Isolation

**Applications:**

- \* Wireless
- \* Transmitter
- \* Laboratory Test
- \* Radar

**Electrical**

Frequency:	12~18GHz
Insertion Loss:	2.8dB max.
Isolation:	70dB min.
VSWR:	2 max.
Input Power:	30dBm max.
Voltage/Current:	+5V@100mA max.
	-5V@50mA max.
Control:	TTL High - 1
	TTL Low/NC - 0

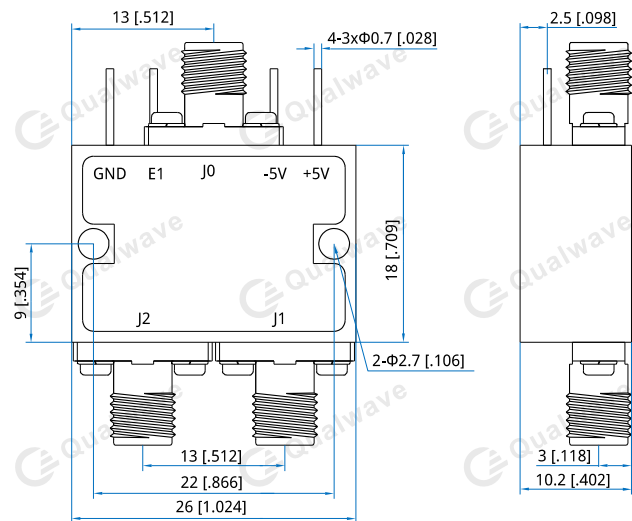
**Mechanical**

Size <sup>*1</sup> :	26*18*10.2mm
	1.024*0.709*0.402in
Switching Time:	100nS max.
RF Connectors:	SMA Female
Power Supply Connectors:	Feed Through/Terminal Post
Housing Material:	Nickel plated aluminum
Mounting:	2-Φ2.7mm through-hole

[1] Exclude connectors.

**Environmental**

Operating Temperature:	-45~+85°C
Non-operating Temperature:	-55~+125°C

**Outline Drawings**


Unit: mm [in]

Tolerance: ±0.2mm [±0.008in]

**Control True Table**

E1	Connection
0	J0 - J1 On
1	J0 - J2 On

**How To Order**

**QPS2-12000-18000-R-2**

Customization is available upon request.