

# QPS2-500-20000-R-2

## SPDT, 0.5~20GHz, Reflective

Features:  
 \* Low Insertion Loss  
 \* High Isolation

Applications:  
 \* Wireless  
 \* Transmitter  
 \* Laboratory Test  
 \* Radar

### Electrical

Frequency:	0.5~20GHz
Insertion Loss:	3dB max.
Isolation:	70dB min.
VSWR:	2 max.
Input Power:	30dBm max.
Voltage/Current:	+5V@100mA max. -5V@50mA max.
Control:	TTL High - 1 TTL Low/NC - 0

### Mechanical

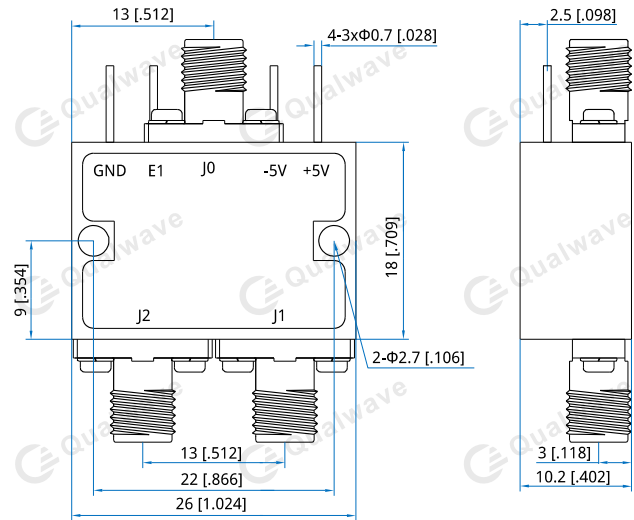
Size <sup>*1</sup> :	26*18*10.2mm 1.024*0.709*0.402in
Switching Time:	100nS max.
RF Connectors:	SMA Female
Power Supply Connectors:	Feed Through/Terminal Post
Housing Material:	Nickel plated aluminum
Mounting:	2-Φ2.7mm through-hole

[1] Exclude connectors.

### Environmental

Operating Temperature:	-45~+85°C
Non-operating Temperature:	-55~+125°C

### Outline Drawings



Unit: mm [in]

Tolerance: ±0.2mm [±0.008in]

### Control True Table

E1	Connection
0	J0 - J1 On
1	J0 - J2 On

### How To Order

[QPS2-500-20000-R-2](#)

Customization is available upon request.