

# QPS2-6000-40000-R-1

## SPDT, 6~40GHz, Reflective

**Features:**

- \* Low Insertion Loss
- \* High Isolation

**Applications:**

- \* Wireless
- \* Transmitter
- \* Laboratory Test
- \* Radar

**Electrical**

Frequency:	6~40GHz
Insertion Loss:	4.5dB max.
Isolation:	65dB min.
VSWR:	2.5 max.
Input Power:	23dBm max.
Voltage/Current:	+5V@100mA max. -5V@50mA max.
Control:	TTL High - 1 TTL Low/NC - 0

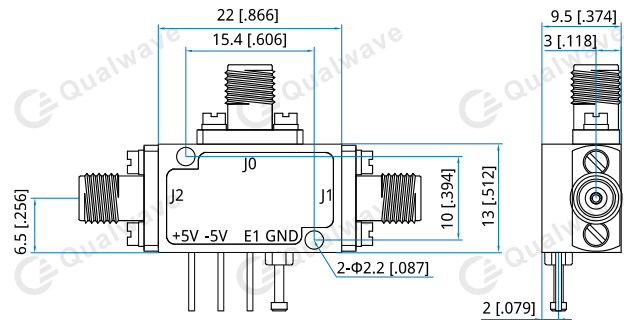
**Mechanical**

Size* <sup>1</sup> :	22*13*9.5mm 0.866*0.512*0.374in
Switching Time:	50nS max.
RF Connectors:	2.92mm Female
Power Supply Connectors:	Feed Through/Terminal Post
Housing Material:	Nickel plated aluminum
Mounting:	2-Φ2.2mm through-hole

[1] Exclude connectors.

**Environmental**

Operating Temperature:	-45~+85°C
Non-operating Temperature:	-55~+125°C

**Outline Drawings**


Unit: mm [in]

Tolerance: ±0.2mm [±0.008in]

**Control True Table**

E1	Connection
0	J0 - J1 On
1	J0 - J2 On

**How To Order**

**QPS2-6000-40000-R-1**

Customization is available upon request.