

QPS1-20000-40000-A

SPST, 20~40GHz, Absorptive

Features:

- * Low Insertion Loss
- * High Isolation

Applications:

- * Wireless
- * Transmitter
- * Laboratory Test
- * Radar

Electrical

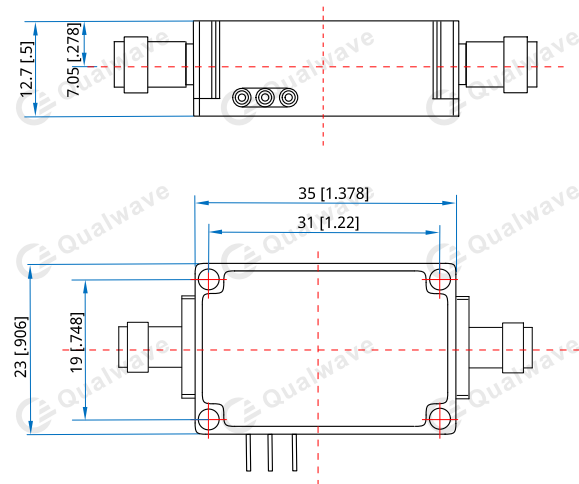
Frequency:	20~40GHz
Insertion Loss:	6dB max.
Isolation:	40dB min.
VSWR:	2.5 max.
Input Power:	30dBm max.
On/Off Delay:	300nS max.
Voltage:	±8V
Current:	0.05A typ.
Control:	TTL High - 1 TTL Low/NC - 0

Mechanical

Size:	35*23*12.7mm 1.378*0.906*0.5in
RF Connectors:	2.92mm Female

Environmental

Operating Temperature:	-20~+60°C
Non-operating Temperature:	-55~+85°C

Outline Drawings


Unit: mm [in]

Tolerance: ±0.2mm [±0.008in]

Control True Table

C	Connection
0	Off
1	On

How To Order
[QPS1-20000-40000-A](#)

Customization is available upon request.