

QRHA19

39.2~59.6GHz, WR-19

Features:
* Broadband

Applications:
* Wireless
* Transceiver
* Laboratory Test
* Broadcast

Electrical

Frequency: 39.2~59.6GHz
Gain: 10, 15, 20, 25dB min.
VSWR: 1.2 max. (Outline A, B, C, D)
1.3 max.

Mechanical

Interface: WR-19 (BJ500)
Flange: UG383/UM
Material: Brass

Environmental

Temperature: -55~+165°C

How To Order

QRHA19-X-Y-Z

X: Gain in dB

10dB - Outline A, E, I

15dB - Outline B, F, J

20dB - Outline C, G, K

25dB - Outline D, H, L

Y: Connector type if applicable

Z: Installation method if applicable

Connector naming rules:

V - 1.85mm Female (Outline E, F, G, H, I, J, K, L)

Pannel Mount naming rules:

P - Pannel Mount (Outline I, J, K, L)

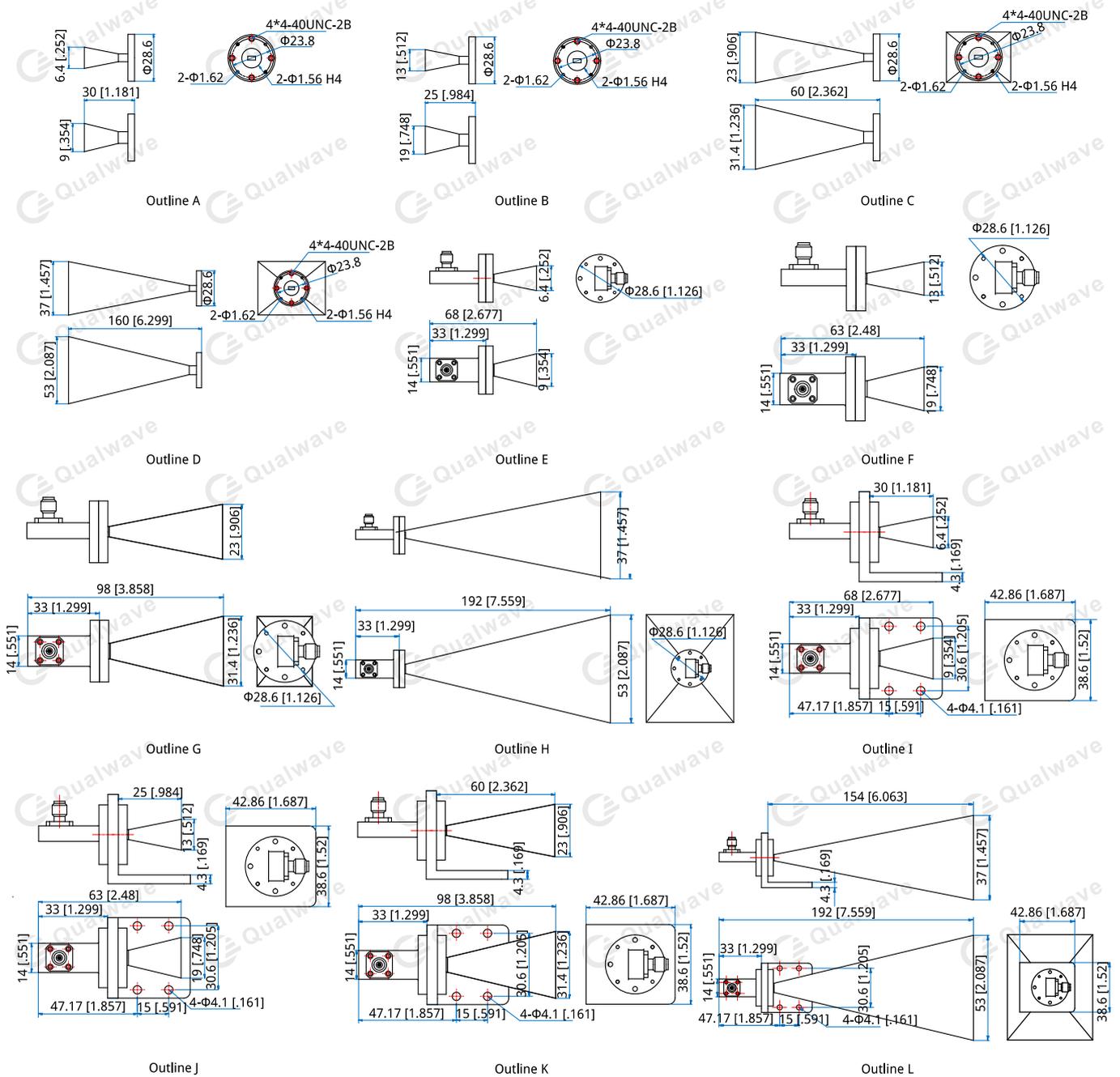
Examples:

To order an antenna, 39.2~59.6GHz, 15dB, WR-19, 1.85mm female, Pannel Mount, specify QRHA19-15-V-P.

Customization is available upon request.

Standard Gain Horn Antennas

Outline Drawings



Unit: mm [in]
Tolerance: $\pm 0.5\text{mm}$ [$\pm 0.02\text{in}$]