

# QRHA770

0.96~1.46GHz, WR-770

Features:  
\* Broadband

Applications:  
\* Wireless  
\* Transceiver  
\* Laboratory Test  
\* Broadcast

## Electrical

Frequency: 0.96~1.46GHz  
Gain: 15dB  
VSWR: 1.4 max.

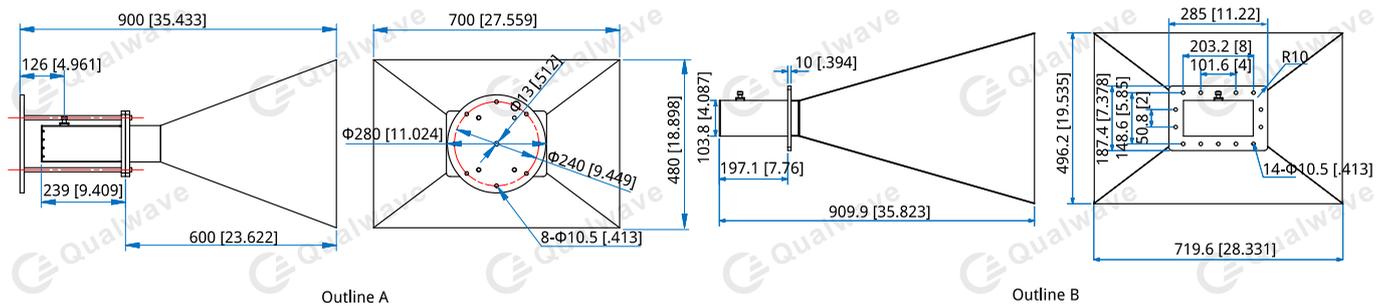
## Mechanical

Interface: WR-770 (BJ12)  
Flange: FDP12  
Material: Aluminium

## Environmental

Temperature: -55~+165°C

## Outline Drawings



Unit: mm [in] Tolerance: ±0.2mm [±0.008in]

## How To Order

QRHA770-X-Y-Z

X: Gain in dB

15dB - Outline A, B

Y: Connector type if applicable

Z: Installation method if applicable

Connector naming rules:

N - N Female (Outline A, B)

S - SMA Female

Pannel Mount naming rules:

P - Pannel Mount (Outline A)

Examples:

To order an antenna, 0.96-1.46GHz, 15dB, WR-770, N Female, Pannel Mount, specify QRHA770-15-N-P.

Customization is available upon request.