

QSC12R5

High Power, High Isolation

Features:
 * High Power
 * High Isolation
 * Low Insertion Loss
 * Low VSWR

Applications:
 * Wireless
 * Radar
 * Laboratory Test

Description

QSC12R5 series Surface Mount Circulators cover frequency range 800~6000MHz. High power, high isolation and low insertion loss make it ideal for a lot of applications like amplifiers, transceivers, etc.

Specifications

Frequency (MHz)	Bandwidth (MHz)	IL (dB Max.)	Isolation (dB Min.)	VSWR (Max.)	Average Power (W)	Temperature (°C)
790-810	20	0.40	20.0	1.25	60	-40 ~ +85
800-830	30	0.40	20.0	1.25	60	-40 ~ +85
900-930	30	0.40	20.0	1.25	100	-40 ~ +85
930-960	30	0.30	20.0	1.25	100	-40 ~ +85
1420-1450	30	0.40	20.0	1.25	60	-40 ~ +85
1710-1785	75	0.40	20.0	1.25	100	-40 ~ +85
1805-1880	75	0.40	20.0	1.25	100	-40 ~ +85
1930-1990	60	0.30	23.0	1.20	100	-40 ~ +85
2110-2170	60	0.30	23.0	1.20	100	-40 ~ +85
2400-2500	100	0.30	21.0	1.20	30	-40 ~ +85
4400-5000	600	0.50	18.0	1.30	60	-40 ~ +85
5700-5900	200	0.40	20.0	1.25	60	-40 ~ +85

Mechanical

Size: $\Phi 12.5 \times 7 \text{mm}$
 $\Phi 0.492 \times 0.276 \text{in}$

How To Order

QSC12R5-W-X-Y-Z

W: Start frequency in MHz
 X: Stop frequency in MHz
 Y: Average power in W
 Z: Direction type

Direction Naming Rules:

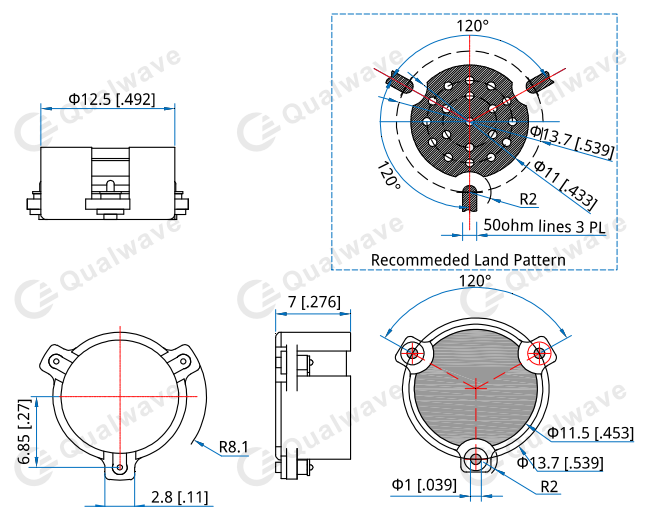
- 1 - Clockwise
- 2 - Anticlockwise

Examples:

To order a QSC12R5 series Circulator, 0.79~0.81GHz, 60W, Clockwise, specify QSC12R5-790-810-60-1.

Customization is available upon request.

Outline Drawings



Unit: mm [inch]

Tolerance: $\pm 0.2 \text{mm}$ [$\pm 0.008 \text{in}$]