

## QSC15

### High Power, High Isolation

**Features:**

- \* High Power
- \* High Isolation
- \* Low Insertion Loss
- \* Low VSWR

**Applications:**

- \* Wireless
- \* Radar
- \* Laboratory Test

#### Description

QSC15 series Surface Mount Circulators cover frequency range 800~3650MHz. High power, high isolation and low insertion loss make it ideal for a lot of applications like amplifiers, transceivers, etc.

#### Specifications

Frequency (MHz)	Bandwidth (MHz)	IL (dB Max.)	Isolation (dB Min.)	VSWR (Max.)	Average Power (W)	Temperature (°C)
800-870	70	0.60	18.0	1.30	60	-40 ~ +85
900-930	30	0.40	20.0	1.25	60	-40 ~ +85
1300-1400	100	0.60	18.0	1.30	60	-40 ~ +85
1400-1500	100	0.60	18.0	1.30	60	-40 ~ +85
1710-1880	170	0.50	20.0	1.25	100	-40 ~ +85
1800-2200	400	0.50	18.0	1.30	60	-40 ~ +85
1805-1880	75	0.40	20.0	1.25	100, 30	-40 ~ +85
1805-1920	115	0.40	20.0	1.25	100	-40 ~ +85
1880-1920	40	0.30	23.0	1.20	100	-40 ~ +85
1980-2010	30	0.30	23.0	1.20	100	-40 ~ +85
2110-2170	60	0.30	23.0	1.20	100	-40 ~ +85
2170-2200	30	0.30	23.0	1.20	100	-40 ~ +85
2200-2500	300	0.40	20.0	1.25	60	-40 ~ +85
2300-2400	100	0.30	23.0	1.20	100	-40 ~ +85
2300-2500	200	0.40	20.0	1.25	100	-40 ~ +85
2300-2700	400	0.50	18.0	1.30	60	-40 ~ +85
2320-2370	50	0.30	23.0	1.20	100	-40 ~ +85
2400-2500	100	0.30	23.0	1.20	100	-40 ~ +85
2496-2696	200	0.30	23.0	1.20	60	-40 ~ +85
2500-2700	200	0.30	23.0	1.20	100	-40 ~ +85
2555-2655	100	0.30	23.0	1.20	100	-40 ~ +85
2620-2690	70	0.30	23.0	1.20	100	-40 ~ +85
3250-3450	200	0.35	20.0	1.20	100	-40 ~ +85
3300-3500	200	0.35	20.0	1.20	100	-40 ~ +85
3300-3800	500	0.50	19.0	1.25	60	-40 ~ +85
3400-3600	200	0.30	23.0	1.20	100	-40 ~ +85
3500-3650	150	0.35	21.0	1.20	50	-40 ~ +85

## Mechanical

Size:  $\Phi 15.2 \times 7 \text{mm}$   
 $\Phi 0.598 \times 0.276 \text{in}$

## How To Order

### QSC15-W-X-Y-Z

W: Start frequency in MHz

X: Stop frequency in MHz

Y: Average power in W

Z: Direction type

## Direction Naming Rules:

1 - Clockwise

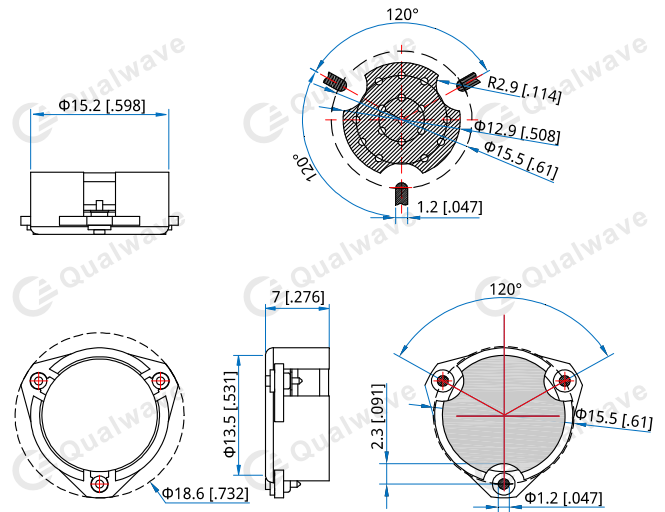
2 - Anticlockwise

## Examples:

To order a QSC15 series Circulator, 0.8~0.87GHz, 60W, Clockwise, specify QSC15-800-870-60-1.

Customization is available upon request.

## Outline Drawings



Unit: mm [inch]

Tolerance:  $\pm 0.2 \text{mm}$  [ $\pm 0.008 \text{in}$ ]