

QSC18

High Power, High Isolation

Features:
 * High Power
 * High Isolation
 * Low Insertion Loss
 * Low VSWR

Applications:
 * Wireless
 * Radar
 * Laboratory Test

Description

QSC18 series Surface Mount Circulators cover frequency range 1400~2655MHz. High power, high isolation and low insertion loss make it ideal for a lot of applications like amplifiers, transceivers, etc.

Specifications

Frequency (MHz)	Bandwidth (MHz)	IL (dB Max.)	Isolation (dB Min.)	VSWR (Max.)	Average Power (W)	Temperature (°C)
1400-1500	100	0.35	23.0	1.20	100	-40 ~ +85
2100-2200	100	0.25	23.0	1.20	100	-40 ~ +85
2110-2170	60	0.30	23.0	1.20	100	-40 ~ +85
2555-2655	100	0.25	23.0	1.20	100	-40 ~ +85

Mechanical

Size: $\Phi 18 \times 8 \text{mm}$
 $\Phi 0.709 \times 0.315 \text{in}$

How To Order

QSC18-W-X-Y-Z

W: Start frequency in MHz

X: Stop frequency in MHz

Y: Average power in W

Z: Direction type

Direction Naming Rules:

1 - Clockwise

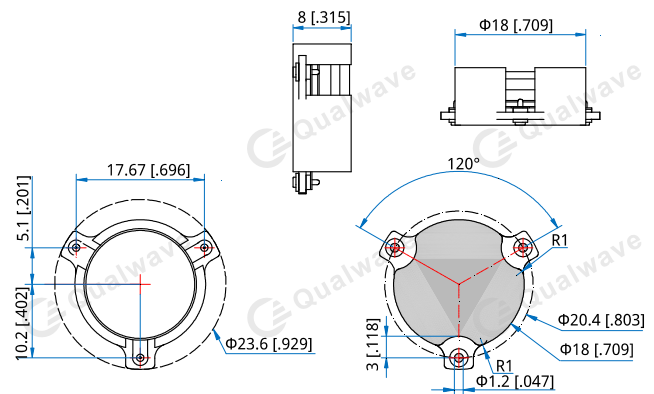
2 - Anticlockwise

Examples:

To order a QSC18 series Circulator, 1.4~1.5GHz, 100W, Clockwise, specify QSC18-1400-1500-K1-1.

Customization is available upon request.

Outline Drawings



Unit: mm [inch]

Tolerance: $\pm 0.2 \text{mm}$ [$\pm 0.008 \text{in}$]