

QSC20

High Power, High Isolation

Features:

- * High Power
- * High Isolation
- * Low Insertion Loss
- * Low VSWR

Applications:

- * Wireless
- * Radar
- * Laboratory Test

Description

QSC20 series Surface Mount Circulators cover frequency range 700~2800MHz. High power, high isolation and low insertion loss make it ideal for a lot of applications like amplifiers, transceivers, etc.

Specifications

Frequency (MHz)	Bandwidth (MHz)	IL (dB Max.)	Isolation (dB Min.)	VSWR (Max.)	Average Power (W)	Temperature (°C)
700-780	80	0.40	20.0	1.25	100	-40 ~ +85
700-800	100	0.80	18.0	1.30	100	-40 ~ +85
703-748	45	0.40	20.0	1.25	100	-40 ~ +85
725-775	50	0.30	23.0	1.20	100	-40 ~ +85
758-803	45	0.40	21.0	1.20	100	-40 ~ +85
758-830	72	0.40	18.0	1.30	100	-40 ~ +85
770-800	30	0.30	23.0	1.20	100	-40 ~ +85
790-825	35	0.30	23.0	1.20	100	-40 ~ +85
800-840	40	0.30	23.0	1.20	100	-40 ~ +85
800-900	100	0.40	20.0	1.25	100	-40 ~ +85
806-821	15	0.30	23.0	1.20	100	-40 ~ +85
806-826	20	0.30	23.0	1.20	100	-40 ~ +85
808-940	132	0.40	20.0	1.25	100	-40 ~ +85
825-835	10	0.30	23.0	1.20	100	-40 ~ +85
825-865	40	0.40	20.0	1.20	100	-40 ~ +85
850-900	50	0.30	22.0	1.20	100	-40 ~ +85
850-950	100	0.40	21.0	1.25	100	-40 ~ +85
860-960	100	0.40	21.0	1.25	100	-40 ~ +85
870-880	10	0.30	23.0	1.20	100	-40 ~ +85
880-960	80	0.45	20.0	1.25	100	-40 ~ +85
885-915	30	0.30	23.0	1.20	100	-40 ~ +85
900-930	30	0.30	23.0	1.20	100	-40 ~ +85
902-928	26	0.30	23.0	1.20	100	-40 ~ +85
920-960	40	0.30	23.0	1.20	100	-40 ~ +85
1000-1100	100	0.40	20.0	1.25	100	-40 ~ +85
1000-1200	200	0.40	20.0	1.20	100	-40 ~ +85
1000-1300	300	0.40	20.0	1.25	100	-40 ~ +85
1030-1090	60	0.40	23.0	1.20	100	-40 ~ +85
1200-1400	200	0.40	20.0	1.20	100	-40 ~ +85

1290-1310	20	0.30	23.0	1.20	100	-40 ~ +85
1400-1500	100	0.30	23.0	1.20	100	-40 ~ +85
1500-1550	50	0.30	23.0	1.20	100	-40 ~ +85
1500-1600	100	0.30	23.0	1.20	100	-40 ~ +85
1500-1700	200	0.40	20.0	1.25	100	-40 ~ +85
1550-1620	70	0.30	23.0	1.20	100	-40 ~ +85
1600-1700	100	0.30	23.0	1.20	100	-40 ~ +85
1670-1710	40	0.30	23.0	1.20	100	-40 ~ +85
1700-2200	500	0.60	18.0	1.30	100	-40 ~ +85
1710-1785	75	0.30	23.0	1.20	100	-40 ~ +85
1710-1880	170	0.40	20.0	1.25	100	-40 ~ +85
1805-2170	365	0.40	20.0	1.25	100	-40 ~ +85
1880-2650	770	0.60	15.0	1.50	100	-40 ~ +85
1920-2170	250	0.40	20.0	1.25	100	-40 ~ +85
2110-2170	60	0.30	23.0	1.20	100	-40 ~ +85
2200-2800	600	0.50	18.0	1.30	100	-40 ~ +85
2300-2700	400	0.40	20.0	1.25	100	-40 ~ +85
2400-2500	100	0.30	23.0	1.20	100	-40 ~ +85
2500-2700	200	0.30	23.0	1.20	100	-40 ~ +85

Mechanical

Size: $\Phi 20 \times 8 \text{mm}$
 $\Phi 0.787 \times 0.315 \text{in}$

Connector Type: SMD

How To Order

QSC20-W-X-Y-Z

W: Start frequency in MHz

X: Stop frequency in MHz

Y: Average power in W

Z: Direction type

Direction Naming Rules:

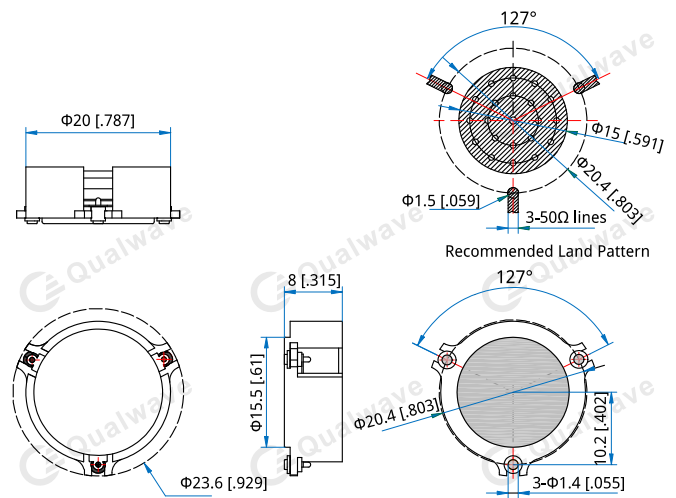
1 - Clockwise

2 - Anticlockwise

Examples:

To order a QSC20 series Circulator, 1.4~1.5GHz, 100W, Clockwise, specify QSC20-1400-1500-100-1.

Outline Drawings



Unit: mm [inch]

Tolerance: $\pm 0.2 \text{mm}$ [$\pm 0.008 \text{in}$]

Customization is available upon request.