

QSC25R4

High Power, High Isolation

Features:
 * High Power
 * High Isolation
 * Low Insertion Loss
 * Low VSWR

Applications:
 * Wireless
 * Radar
 * Laboratory Test

Description

QSC25R4 series Surface Mount Circulators cover frequency range 350~4000MHz. High power, high isolation and low insertion loss make it ideal for a lot of applications like amplifiers, transceivers, etc.

Specifications

Frequency (MHz)	Bandwidth (MHz)	IL (dB Max.)	Isolation (dB Min.)	VSWR (Max.)	Average Power (W)	Temperature (°C)
410-460	50	0.50	18.0	1.30	100	-40 ~ +85
483-488	5	0.40	23.0	1.20	100	-40 ~ +85
485-505	20	0.40	23.0	1.20	100	-40 ~ +85

Mechanical

Size: $\Phi 25.4 * 9.5\text{mm}$
 $\Phi 1 * 0.374\text{in}$

How To Order

QSC25R4-W-X-Y-Z

W: Start frequency in MHz

X: Stop frequency in MHz

Y: Average power in W

Z: Direction type

Direction Naming Rules:

1 - Clockwise

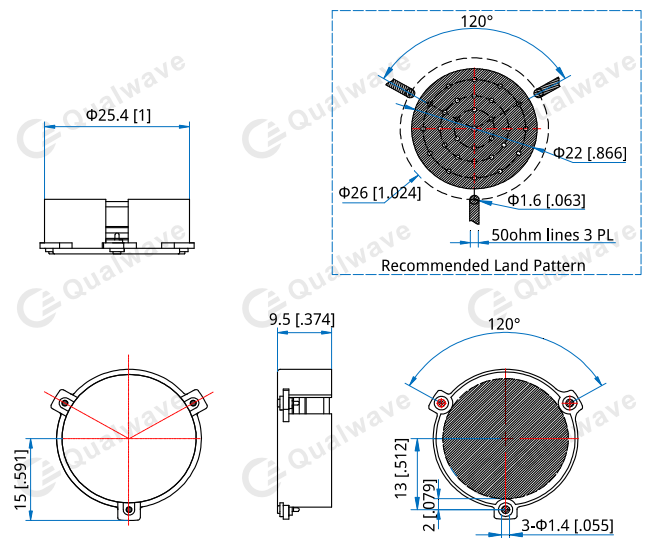
2 - Anticlockwise

Examples:

To order a QSC25R4 series Circulator, 0.41~0.46GHz, 100W, Clockwise, specify QSC25R4-410-460-K1-1.

Customization is available upon request.

Outline Drawings



Unit: mm [inch]

Tolerance: $\pm 0.2\text{mm}$ [$\pm 0.008\text{in}$]